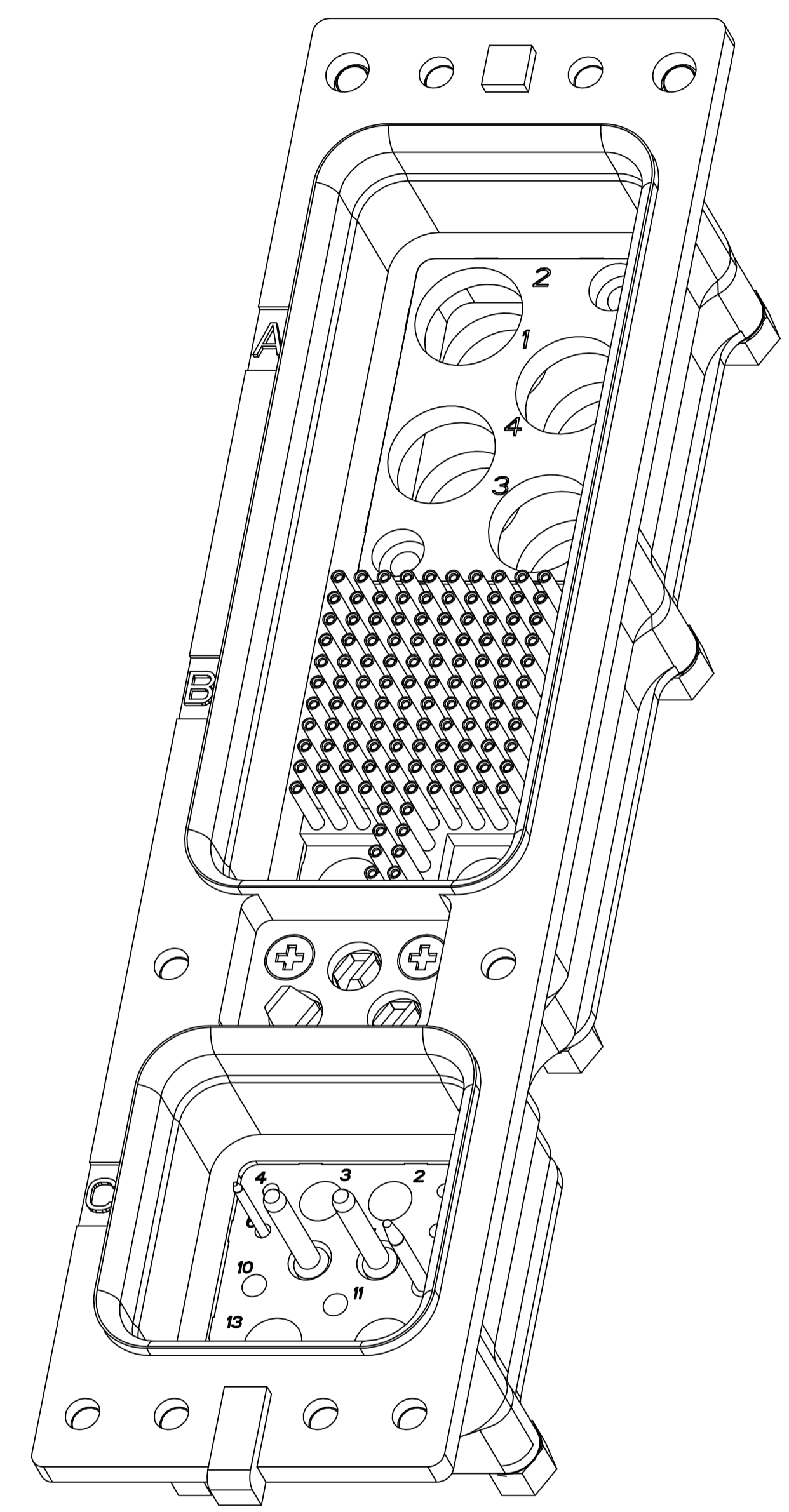


REVISIONS						
LOC	DIST	REV	DESCRIPTION	DATE	DWN	APVD
		E	REVISED PER ECO-10-010827	05AUG10	CT	KT

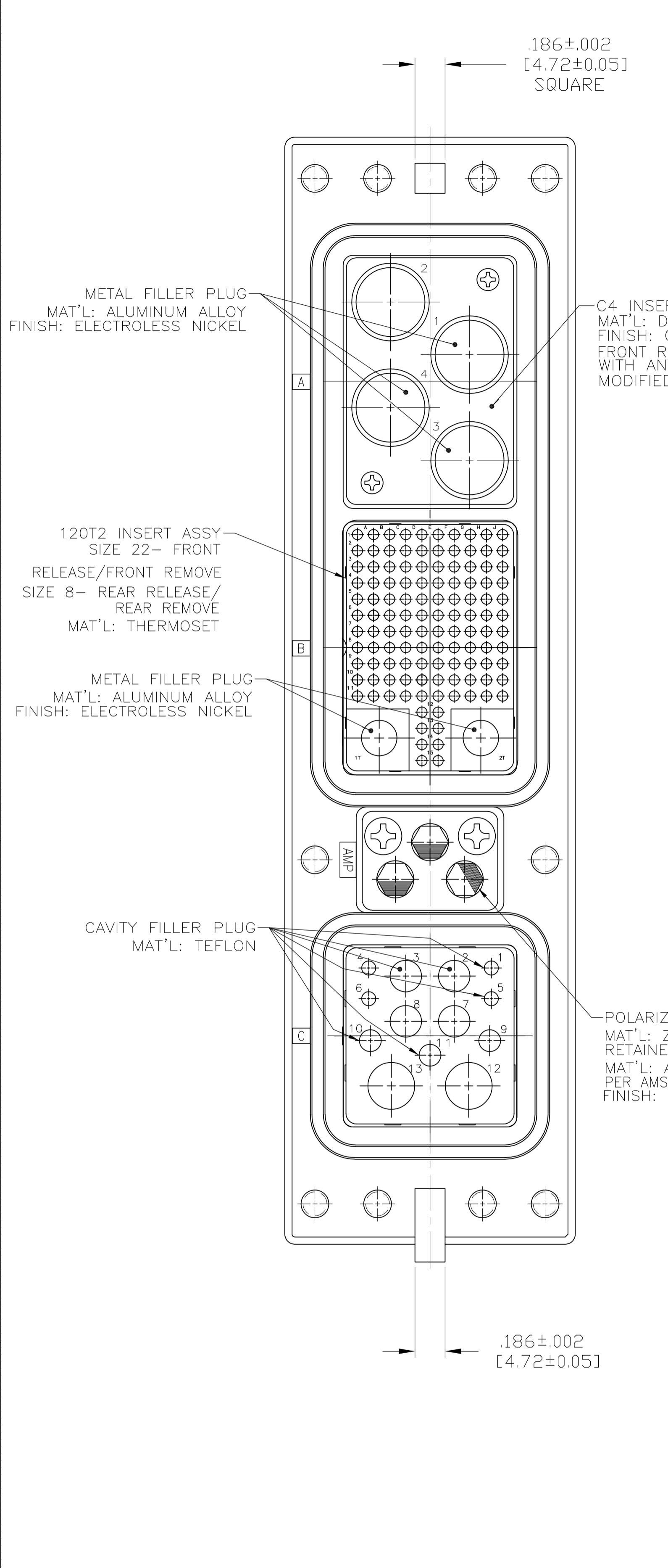


03	MODULE A 1663625-1 (SIZE 1 FILLER PLUG) (QTY=3) (#2 IS OPEN) MODULE B 211431-4 (SIZE 22 POSTED; QTY=118) 1663588-1 (SIZE 8 FILLER PLUG) (QTY=2) MODULE C 1663533-5 (SIZE 20 POSTED; QTY=2) (CAVITIES #4 & #6) 1-1663128-0 (SIZE 16 POSTED; QTY=1) (CAVITY #9) 1663129-8 (SIZE 12 POSTED; QTY=2) (CAVITIES #7 & #8) 1663767-6 (FILLER PLUG, SIZE 20) (QTY=2) (CAVITIES #1 & #5) 1663767-7 (FILLER PLUG, SIZE 16) (QTY=2) (CAVITIES #10 & #11) 1663767-8 (FILLER PLUG, SIZE 12) (QTY=2) (CAVITIES #2 & #3)	1663471-1
	KEYING POSITION INSTALLED CONTACTS AND FILLER PLUG POSITIONS	PART NUMBER

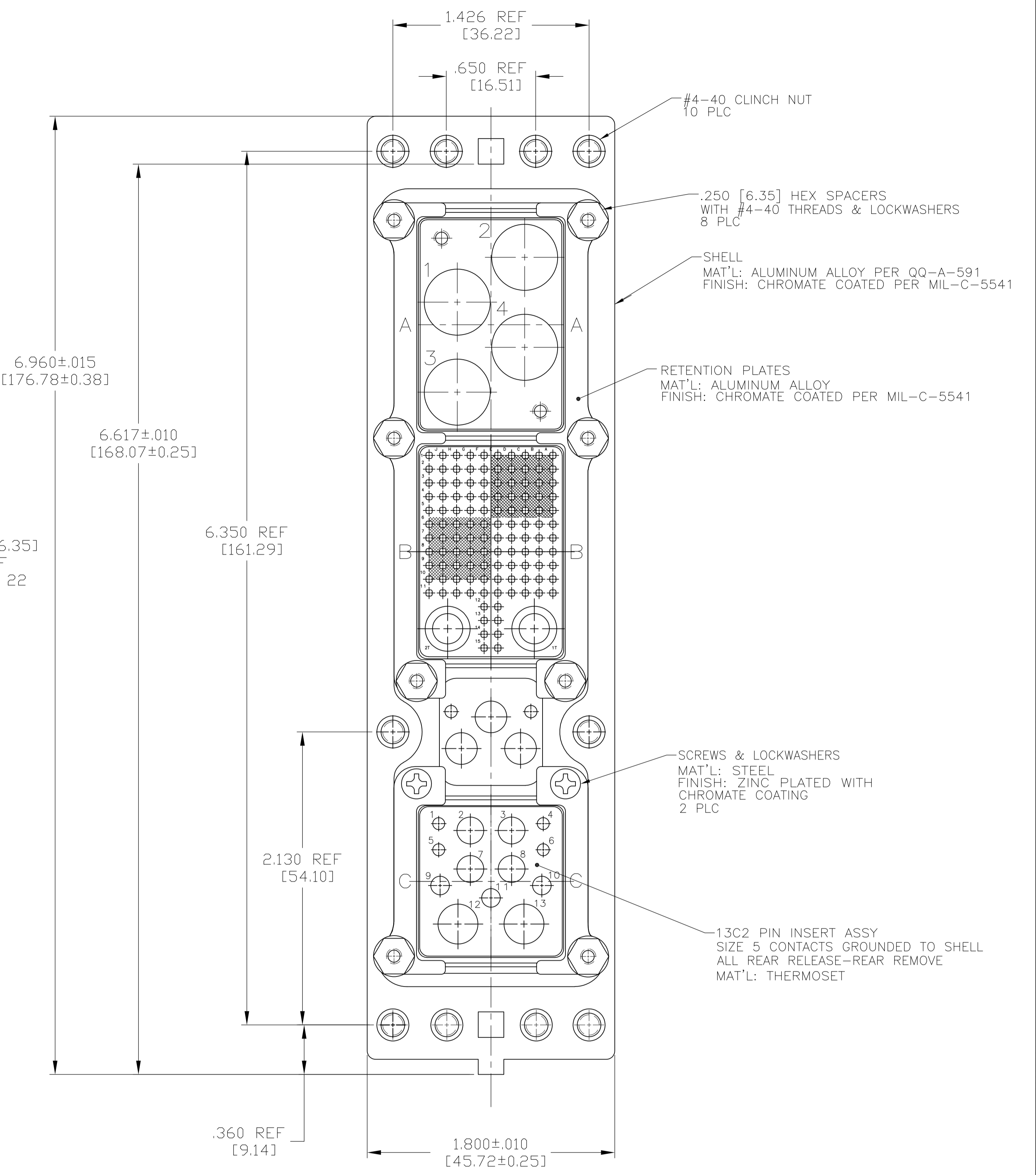
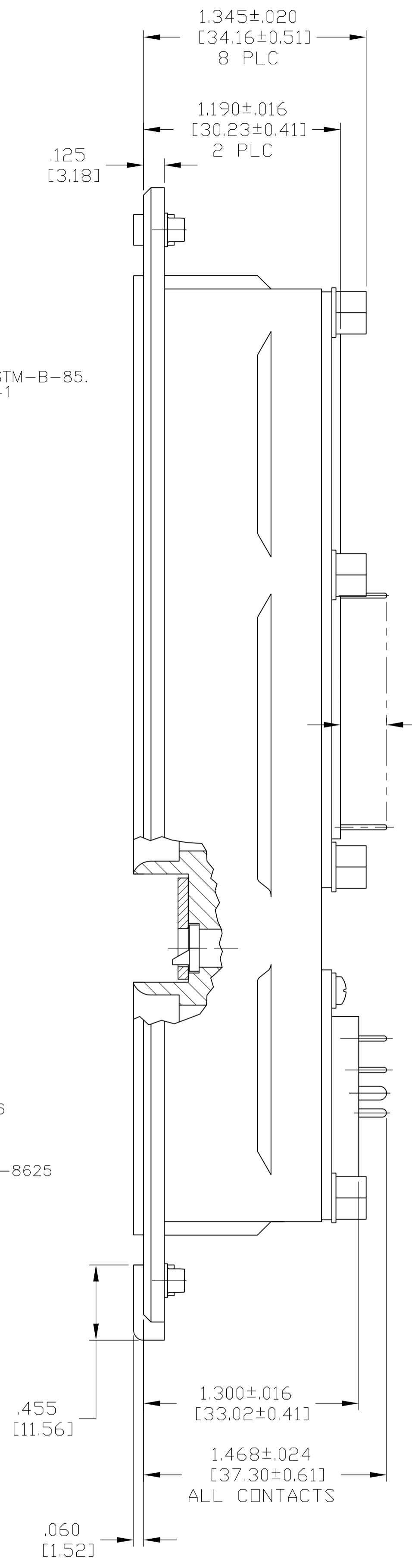
- CONNECTOR DIMENSIONS ARE PER ARINC 600 SPECIFICATION.
- CONNECTOR IS SUPPLIED WITH CONTACTS & FILLER PLUGS (PER TABLE) ASSEMBLED AS SHOWN.
- CONNECTOR IS SUPPLIED WITH A DUST COVER INSTALLED (NOT SHOWN).
- CONTACTS NOT SHOWN IN FRONT & REAR VIEWS FOR CLARITY.
- DIMENSION TO CONTACT POST IS WITH CONTACTS FULLY SEATED TO REAR OF CONTACT CAVITIES.
- KEYING SHOWN IN POSITION FOR REFERENCE ONLY. SEE TABLE FOR KEYING POSITION PER DRAWING 204014. FOR POSITION "00" KEYING SHIPPED UNASSEMBLED.

THIS DRAWING IS A CONTROLLED DOCUMENT.		DIN C.C.THOMAS 8-1-03	Tyco Electronics Corporation Harrisburg, PA 17105-3608	
DIMENSIONS: INCHES [mm]		CHK S.GLATFELTER 8-1-03	APVD S.GLATFELTER 8-1-03	
TOLERANCES UNLESS OTHERWISE SPECIFIED:		NAME RECEPTACLE ASSY, SIZE 2, ARINC 600 (C4/120T2/13C2)		
0. PLC ± - 1. PLC ± - 2. PLC ± - 3. PLC ± .005 [0.13] 4. PLC ± - ANGLES ± -		PRODUCT SPEC		
MATERIAL SEE CALLOUTS		APPLICATION SPEC		
FINISH SEE CALLOUTS		WEIGHT		
CUSTOMER DRAWING		SIZE A1	CAGE CODE 00779	DRAWING NO 1663471
		SCALE 2:1	SHEET 1 OF 2	REV E

LOC		DIST		REVISIONS			
P	LTR	DESCRIPTION	DATE	DNW	APVD		
-	-	SEE SHEET #1	-	-	-	KT	



C4 INSERT
MAT'L: DIE CAST ALUMINUM PER ASTM-B-85.
FINISH: CHROMATE PER MIL-C-5541
FRONT RELEASE/FRONT REMOVE
WITH ANTI-ROTATION FEATURE FOR
MODIFIED SIZE 1 PIN CONTACTS



THIS DRAWING IS A CONTROLLED DOCUMENT.		DIN C.C.THOMAS 8-1-03	Tyco Electronics Corporation Harrisburg, PA 17105-3608																			
DIMENSIONS: INCHES [mm]		CHK S.GLATFELTER 8-1-03	NAME S.GLATFELTER 8-1-03																			
TOLERANCES UNLESS OTHERWISE SPECIFIED:		PRODUCT SPEC																				
<table border="0"> <tr><td>0 PLC</td><td>±</td><td>-</td></tr> <tr><td>1 PLC</td><td>±</td><td>-</td></tr> <tr><td>2 PLC</td><td>±</td><td>-</td></tr> <tr><td>3 PLC</td><td>±</td><td>.005 [0.13]</td></tr> <tr><td>4 PLC</td><td>±</td><td>-</td></tr> <tr><td>ANGLES</td><td>±</td><td>-</td></tr> </table>		0 PLC	±	-	1 PLC	±	-	2 PLC	±	-	3 PLC	±	.005 [0.13]	4 PLC	±	-	ANGLES	±	-	APPLICATION SPEC		
0 PLC	±	-																				
1 PLC	±	-																				
2 PLC	±	-																				
3 PLC	±	.005 [0.13]																				
4 PLC	±	-																				
ANGLES	±	-																				
MATERIAL SEE CALLOUTS		FINISH SEE CALLOUTS		RESTRICTED TO																		
WEIGHT		A1 00779 C=1663471		SCALE 2:1 SHEET 2 OF 2 REV E																		
CUSTOMER DRAWING																						