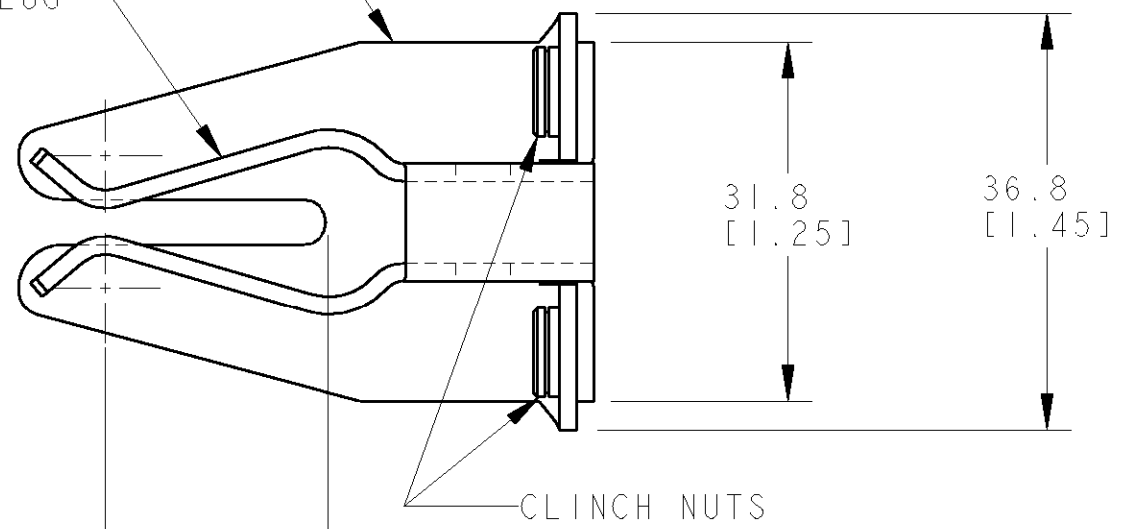


THIS DRAWING IS UNPUBLISHED. RELEASED FOR PUBLICATION 23MAR2001
 © COPYRIGHT 22MAR2001 BY TYCO ELECTRONICS CORPORATION. ALL RIGHTS RESERVED.

LOC	DIST	REVISIONS			
P	LTR	DESCRIPTION	DATE	DWN	APVD
BG	0	0	RELEASE PER NPR	28MAR2001	JM JW

ANTI-OVERSTRESS PLATE

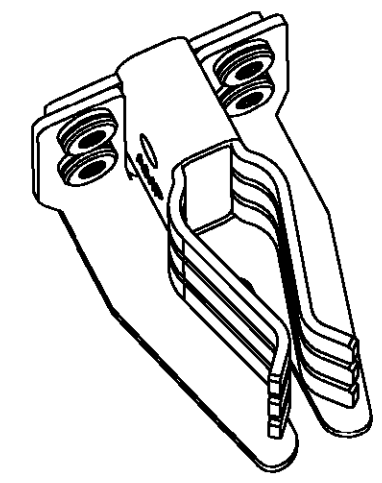
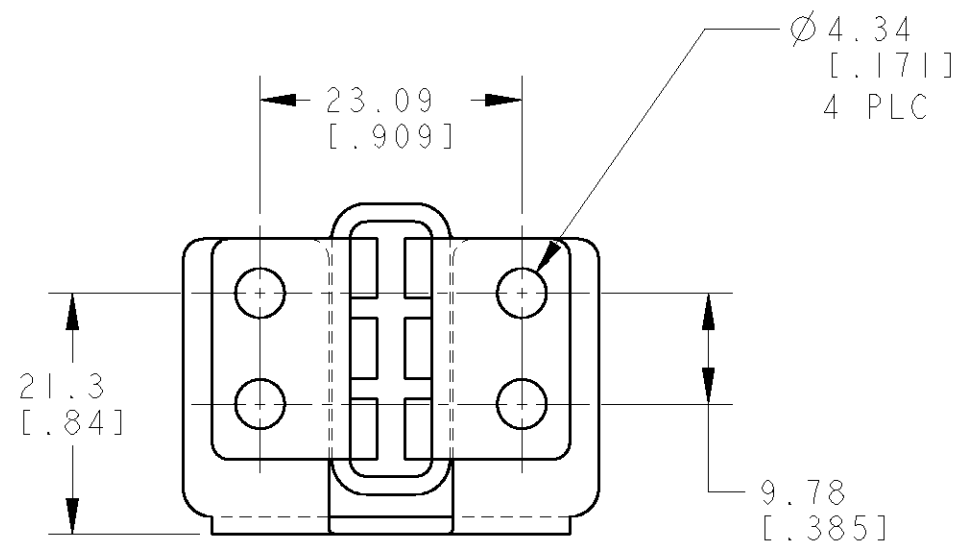
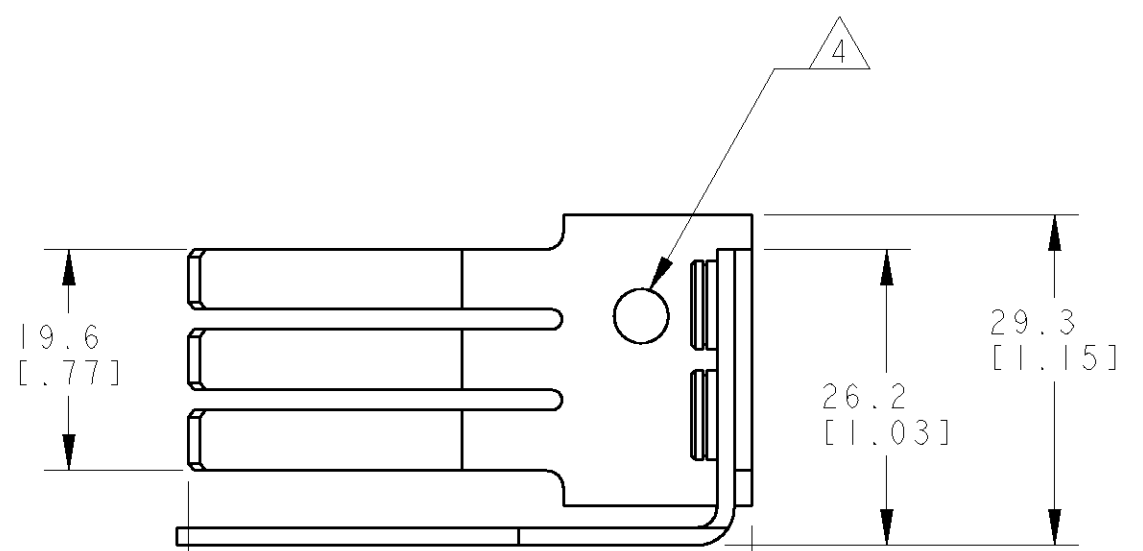
BUSPLUG



19.76
[.778]
2 PLC

- 1 ANTI-OVERTRESS PLATE & CLINCH NUTS: STAINLESS STEEL. BUSPLUG: COPPER ALLOY.
- 2 BUSPLUG: 6.35 MICROMETERS [.000250] MIN SILVER OVER 1.27 MICROMETERS [.000050] MIN NICKEL.
- 3. ALL DIMENSIONS ARE REFERENCE DIMENSIONS ONLY.
- 4 PART MAY HAVE HOLE IN THIS LOCATION, ON BOTH SIDES.

CLINCH NUTS



SCALE 1:1

49.8 [1.96] TYP
50.9 [2.00]

1367369-1
PART NUMBER

<small>THIS DRAWING IS A CONTROLLED DOCUMENT FOR TYCO ELECTRONICS CORPORATION. IT IS SUBJECT TO CHANGE AND THE CONTROLLING ENGINEERING ORGANIZATION SHOULD BE CONTACTED FOR THE LATEST REVISION.</small>		DWN J.J. MILLER 26JAN2001 CHK J. WESTMAN 26JAN2001 APVD J. WESTMAN 29JAN2001		tyco Tyco Electronics Electronics Harrisburg, PA 17105-3608	
DIMENSIONS: mm [INCH]		TOLERANCES UNLESS OTHERWISE SPECIFIED: 0 PLC ± 1 PLC ± 2 PLC ±0.02 3 PLC ±0.005 4 PLC ± ANGLES ±		NAME ASSEMBLY, CONNECTOR, SELF CLINCHING NUTS AND ANTI-OVERSTRESS PLATE	
MATERIAL 1		FINISH 2		PRODUCT SPEC 108-1101 APPLICATION SPEC 114-02111 WEIGHT -	
		CUSTOMER DRAWING		SIZE A3 CAGE CODE 00779 DRAWING NO C-1367369 RESTRICTED TO - SCALE 3:2 SHEET 1 OF 1 REV 0	