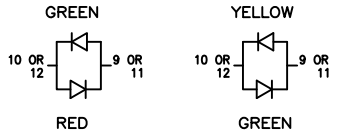
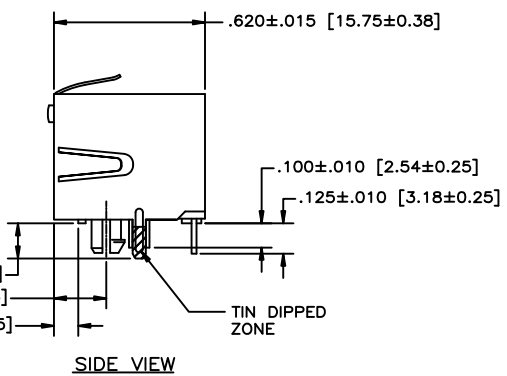
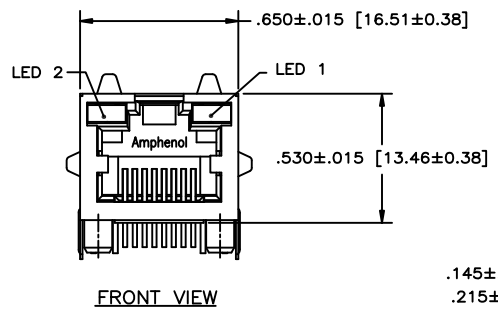
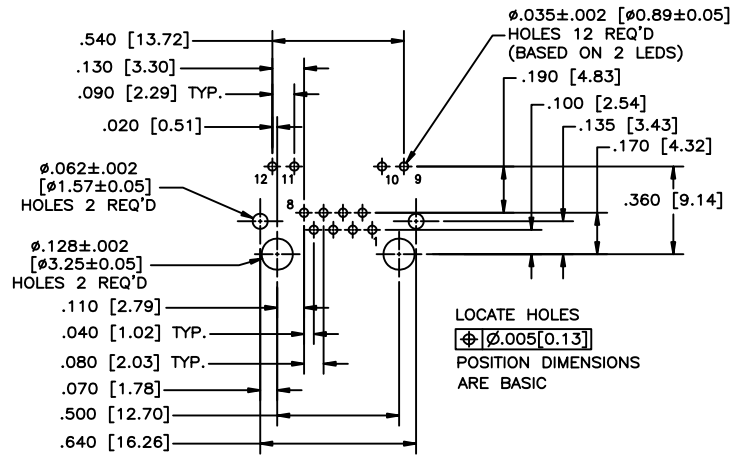
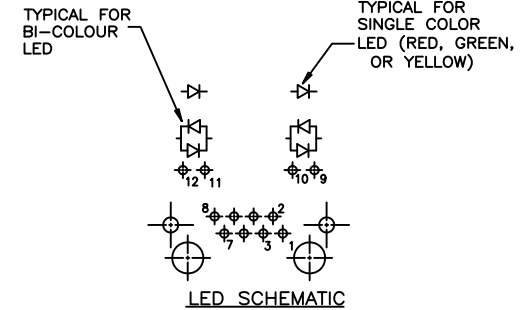


REVISIONS				
SYM	ZONE	ECN, ERN NO.	DATE	APPRD.
B		PROPOSAL	06/03/13	L.CHAN
C		PROPOSAL	FEB21/12	L.CHAN



**BI-COLOUR LED DETAIL**  
(RED/YELLOW AND GREEN/ORANGE LED'S ARE ALSO AVAILABLE)



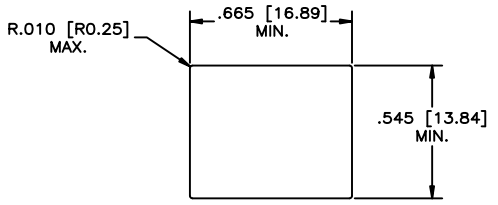
**RECOMMENDED P.C.B. LAYOUT**  
(COMPONENT SIDE OF BOARD)



1. **MATERIALS:**  
 PLASTIC HOUSING: HIGH TEMPERATURE THERMOPLASTIC  
 FLAMMABILITY RATING UL 94V-0  
 CONTACTS: PHOSPHOR BRONZE  
 PLATING: 15 μ" [0.381 MICRONS]  
 MIN. GOLD ON MATING SURFACES.  
 50 μ" [1.27 MICRONS]  
 MIN. NICKEL UNDERPLATE  
 100 μ" [2.54 MICRONS]  
 MIN. MATTE TIN ON CONTACT TAILS.  
 SHIELD: STAINLESS STEEL WITH TIN DIP ON SOLDER TAIL

**PART NUMBER: RJHSE-G48X**

REFER TO LED OPTIONS DRAWING FOR ORDERING CODES



**RECOMMENDED PANEL CUTOUT**

DRAWN PWANG	DATE 06/03/13	Amphenol Canada Corp.		
DESIGNED				
CHECKED CHIGOW	DATE 06/03/13	TITLE		
I. E. APPRD.		HIGH SPEED, RJ45, MODULAR JACK,		
Q. A. APPRD.		8 POSITION, 8 CONTACTS,		
DWG. APPRD.		SHIELDED, WITH LEDs - RoHS COMPLIANT		
ENG. REL. NO.		DWG	DRAWING NO.	REV.
REF.			P-RJHSE-G48X	C
DIMENSIONS ARE IN INCHES [mm]	CODE ID. NO. 03554	SCALE	WT.	SURF.
				SHEET 1 OF 1

THIS DOCUMENT CONTAINS PROPRIETARY INFORMATION AND SUCH INFORMATION MAY NOT BE DISCLOSED TO OTHERS FOR ANY PURPOSE OR USED FOR MANUFACTURING PURPOSES WITHOUT WRITTEN PERMISSION FROM AMPHENOL CANADA CORP.