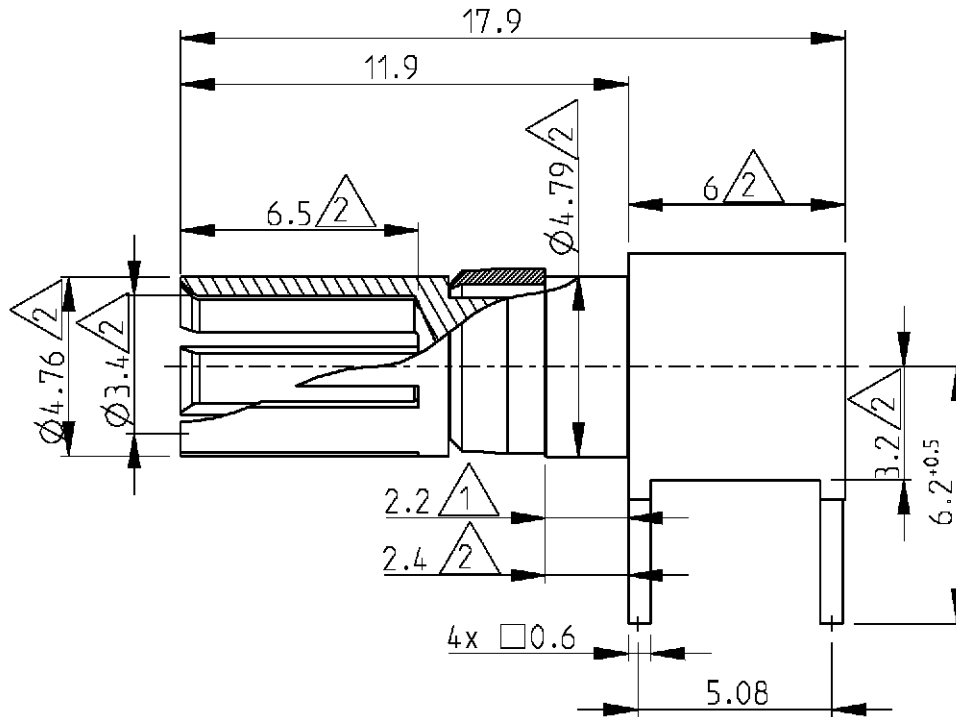
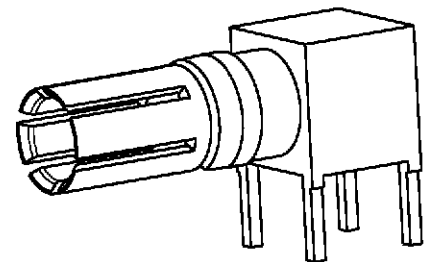


LOC	DIST	REVISIONS				
P	LTR	DESCRIPTION	DATE	DWN	APVD	
GW	-	A1	SR10-0170-01	26APR2001	BL	KM



4) Application : DIN 41612 type M

- Measured with spring moved towards mating face.
- Max dimensions.
- Min dimension.



3:1

Cross reference table				
Old part number	Tyco part number	Current	Material	Plating
C42334-A347-A194	2-1393589-9	40 A	CuBe	1 μm Au or Pd in contact area

1:1



DIMENSIONS: mm	DWN B. Lenvain	19APR2001	MATERIAL	-	FINISH	-
	CHK K. Mattheeuws	19APR2001	Tyco Electronics Dostkamp - Belgium			
TOLERANCES UNLESS OTHERWISE SPECIFIED:	APVD R. Leeman	19APR2001				
0 PLC #	PRODUCT SPEC	-	NAME			High current socket with PCB connection
1 PLC #	APPLICATION SPEC	-	SIZE	CAGE CODE	DRAWING NO	RESTRICTED TO
2 PLC #	WEIGHT	-	A 4	00779	©=2-1393589-9	-
3 PLC #			CUSTOMER DRAWING			SCALE 5/1
4 PLC #						SHEET 1 OF 1
ANGLES ±						REV A1