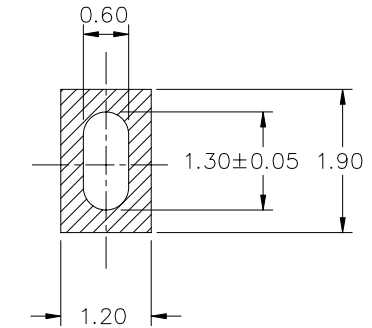
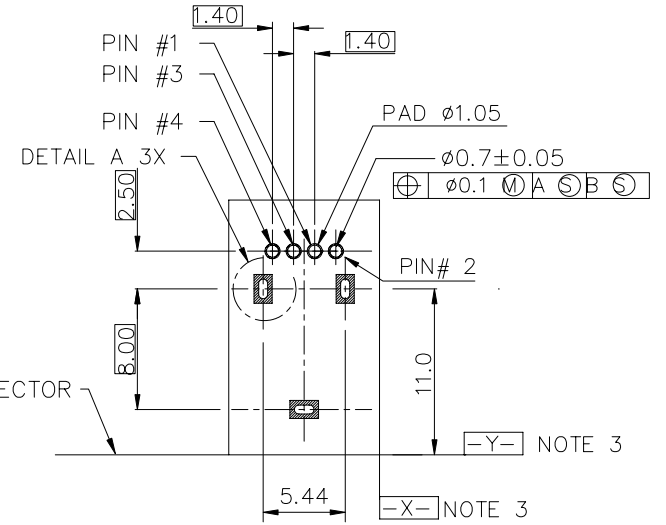
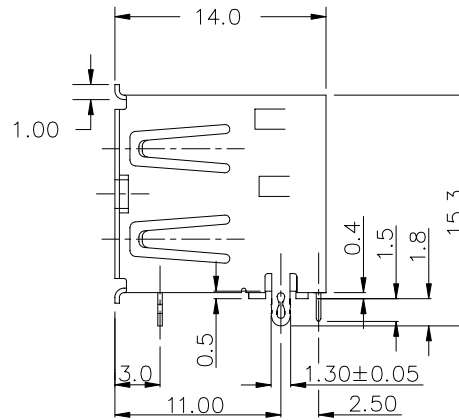
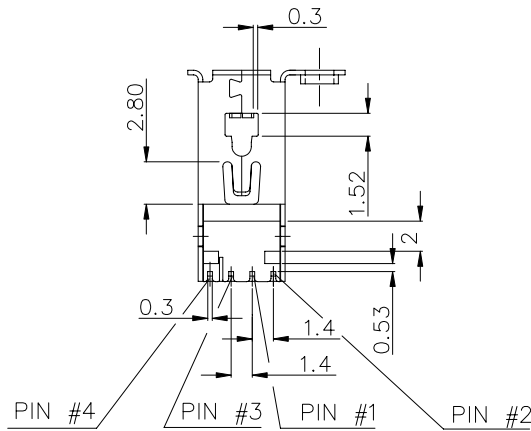
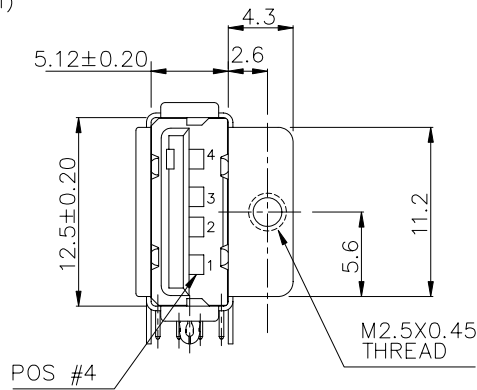
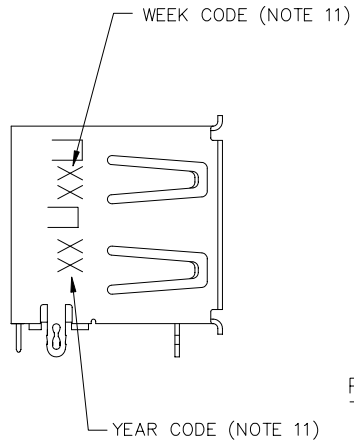
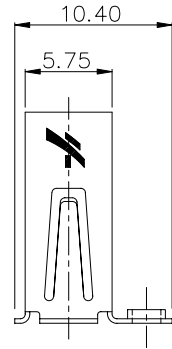


PRODUCT NO.
52319



PC BOARD MOUNTING DIMENSIONS FOR 4 PIN

mat'l code				tolerance unless otherwise specified			CUSTOMER COPY		 www.fciconnect.com	
rev.	ecn no.	dr	date	linear	.0 ± .30		projection	title USB SIDE MOUNT WITH RIGHT SIDE FLANGE product family USB size dwg no. 52319 sheet 1 OF 2		
K	N05-0086	PH	03/22/05		.00 ± .20					
L	N05-0222	PH	07/28/05	angles	.000± 0.10			A3 52319		
					± 2'					
F	T10256	PP	09/20/01	dr	PETER	3/15/00	unit mm/inch	code		
G	T20158	WL	05/17/02	enr	R Y LIU	3/15/00				
H	T20190	WL	06/25/02	chr	R Y LIU	3/15/00	scale	sheet 1 OF 2		
J	T04-0194	WL	05/05/04	appd	JENN TSAO	3/15/00				
sheet	revision	L	L							
index	sheet	1	2							

PRODUCT NO.
52319

PRODUCT NUMBER CODE

52319-X 0 X 0 B LF

HOUSING COLOR OPTION

- 0-WHITE
- 1-BLACK

SHIELD PLATING OPTION

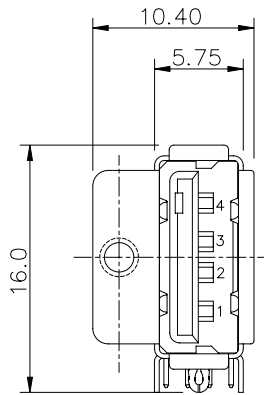
- 1- NICKEL ONLY WITH RIGHT SCREW TYPE 1
- 2- TIN COPPER ALLOY WITHOUT SCREW TYPE 2
- 3- TIN COPPER ALLOY WITH SCREW TYPE 1
- 4- TIN COPPER ALLOY WITH LEFT SCREW TYPE 3

TERMINAL PLATING OPTION

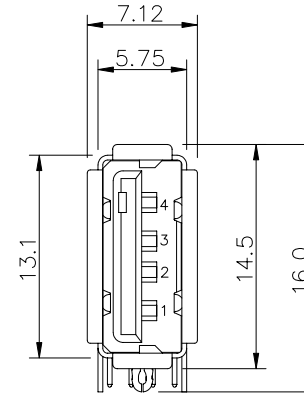
- 0-50u" NI UNDERPLATE
- 30u" Au CONTACT AREA
- 100u" TIN/LEAD TAIL AREA

LEAD FREE OPTION

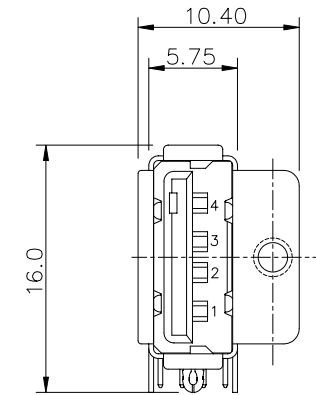
LF- TIN/LEAD PLATING EVERYWHERE WILL BE REPLACED BY PURE TIN PLATING IF "LF" OPTION SELECTED



WITH LEFT SCREW TYPE '3'



WITHOUT SCREW TYPE '2'



WITH RIGHT SCREW TYPE '1'

NOTES :

1. MATERIAL:
CONTACTS: COPPER ALLOY
SHIELD: COPPER ALLOY
HOUSING: UL 94V-0 THERMOPLASTIC, COLOR: SEE PRODUCT CODE
2. PLATING: SEE PRODUCT NUMBER CODE.
- ③ DATUMS & BASIC DIMENSIONS DETERMINED BY CUSTOMERS.
4. RECOMMENDED BOARD THICKNESS IS 0.50mm ~ 0.6mm.
- ⑤ MAXIMUM PANEL THICKNESS TO BE 2.67mm IF MOUNTED BEHIND PANEL
6. METAL SHELL SLIVER 0.20 MAX.
7. P/N'S WITH SUFFIX "LF" ARE LEAD FREE P/N'S
8. PACKING STANDARD GS-14-920 WILL BE APPLIED FOR LEAD FREE P/N'S
9. FOR LEAD FREE P/N, THE PRODUCT MEET EUROPEAN UNION DIRECTIVES AND OTHER COUNTRY REGULATION AS DESCRIBED IN GS-22-008
10. FOR LEAD FREE P/N, THE HOUSING WILL WITHSTAND EXPOSURE TO 260°C PEAK TEMPERATURE FOR 40 SECONDS IN A CONVECTION, INFRO-RED OR VAPOR PHASE REFLOW OVEN.
11. 52319-1020BP/1020BPLF ARE WITH PRINTED CODE.

mat'l. code				tolerances unless otherwise specified			CUSTOMER COPY		 www.fciconnect.com	
ltr	ecn no	dr	date	linear	.0 ± .30		projection	title		
L					.00 ± .20			USB SIDE MOUNT WITH RIGHT SIDE FLANGE		
					.000± 0.10			product family USB		
				angles	± 2'		 scale --- A3	size dwg no		code
				dr	PETER	3/15/00		52319		sheet
				enr	R Y LIU	3/15/00				2 of
				chr	R Y LIU	3/15/00				
				appd	JENN TSAO	3/15/00				
sheet index	revision sheet									