

10 9 8 7 6 5 4 3 2 1

F

F

E

E

D

D

C

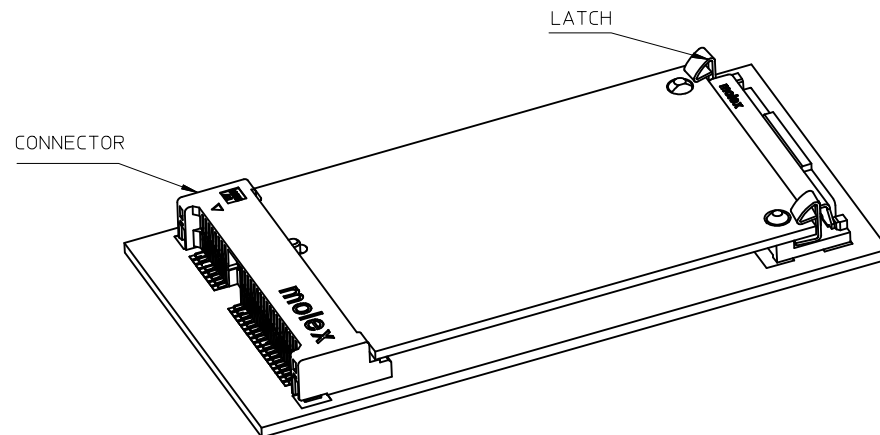
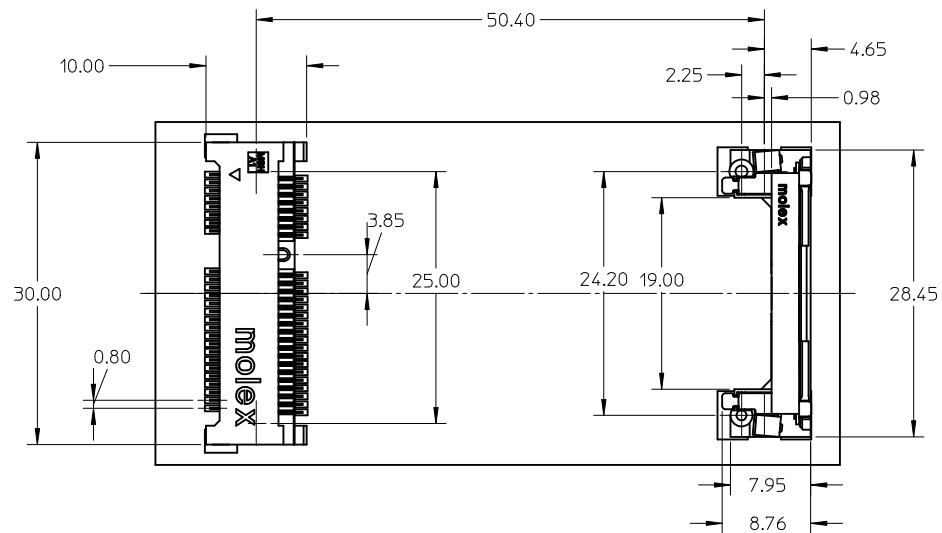
C

B

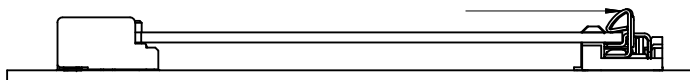
B

A

A



PUSH LATCH TO RELEASE MODULE



QUALITY SYMBOLS	
	=0
	=0

REVISED	EC NO: S2010-0835
DRWN: CWANG25	2010/04/05
CHKD: HARVEY	2005/12/14
APPR: NAGESHKN	2010/04/07

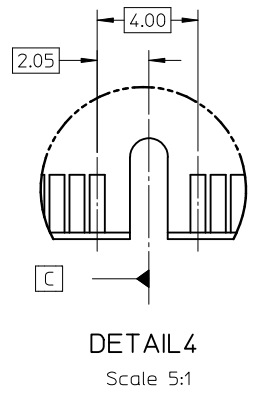
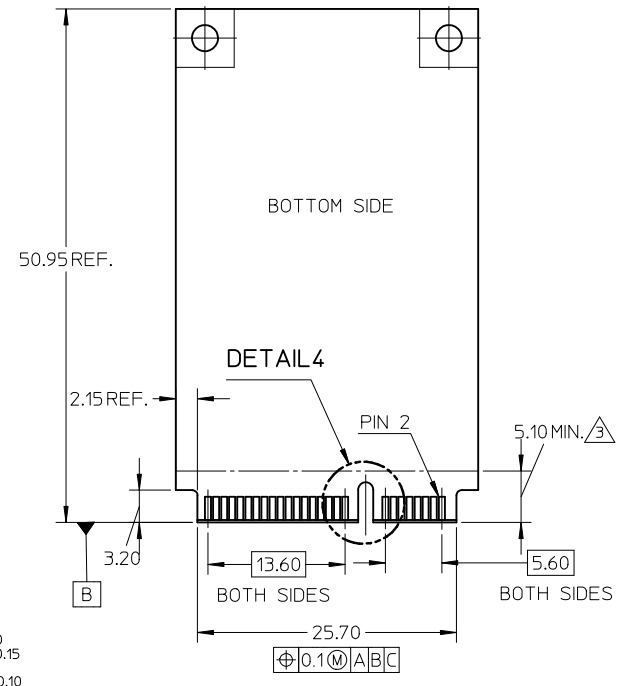
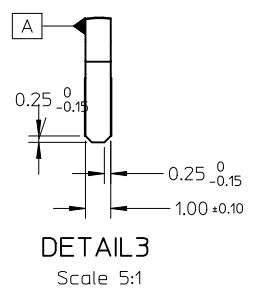
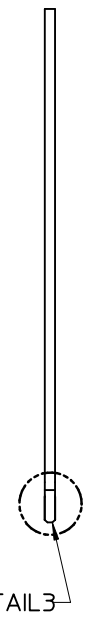
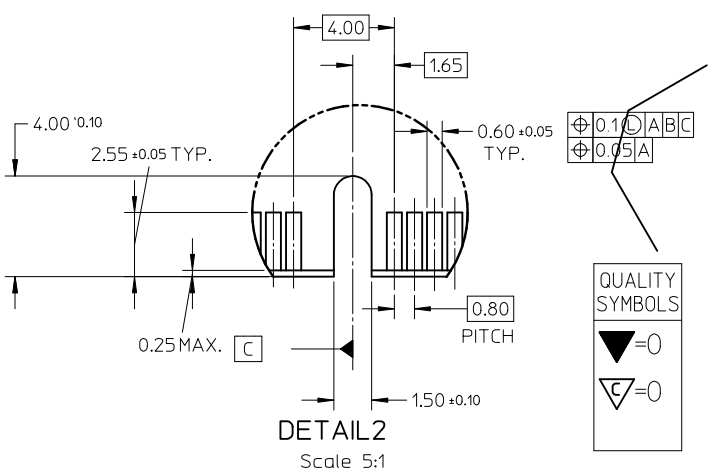
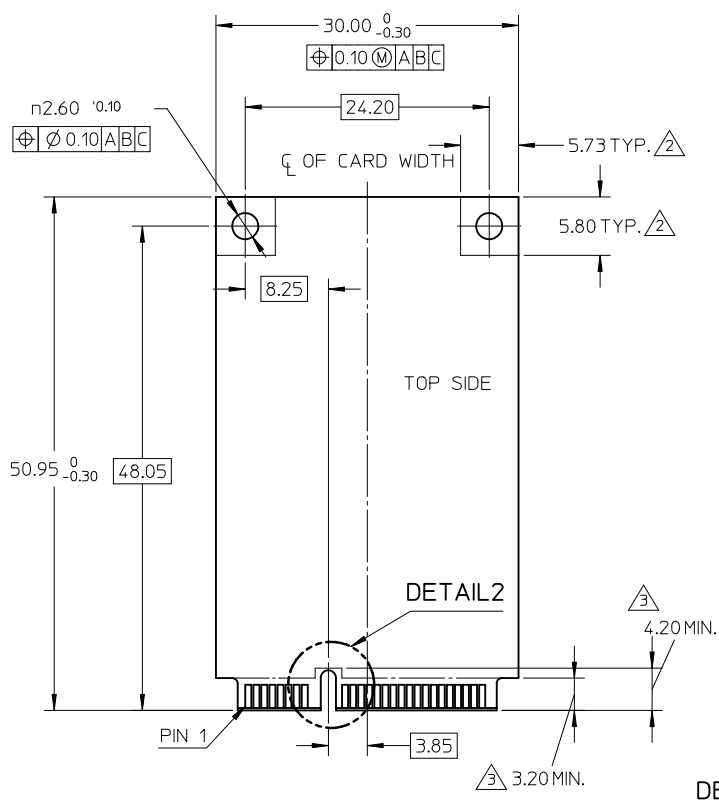
REV	DESCRIPTION
	=0
	=0
	=0

GENERAL TOLERANCES (UNLESS SPECIFIED)	
	mm INCH
4 PLACES	± --- ± ---
3 PLACES	± --- ± ---
2 PLACES	± 0.25 ± ---
1 PLACE	± 0.25 ± ---
ANGULAR ± 3 °	
DRAFT WHERE APPLICABLE MUST REMAIN WITHIN DIMENSIONS	

DIMENSION STYLE	
MM ONLY	
DRAWN BY	DATE
DAVID HU	2005/12/14
CHECKED BY	DATE
HARVEY	2005/12/14
APPROVED BY	DATE
NAGESHKN	2010/04/07
MATERIAL NO.	
480995701	
SIZE	A3

SCALE	NTS	DESIGN UNITS	METRIC	THIRD ANGLE PROJECTION
TITLE				
LATCH FOR MINIPCI-E 0.8MM PITCH 52 CIRCUIT LEAD-FREE				
MOLEX		MOLEX INCORPORATED		
DOCUMENT NO.			SHEET NO.	
SD-48099-006			1 OF 3	
THIS DRAWING CONTAINS INFORMATION THAT IS PROPRIETARY TO MOLEX INCORPORATED AND SHOULD NOT BE USED WITHOUT WRITTEN PERMISSION				

9 8 7 6 5 4 3 2 1



NOTES:
 1. PIN NUMBERING REFERENCE:
 ODD PINS-TOP SIDE
 EVEN PINS-BOTTOM SIDE
 2. COMPONENT AND ROUTING(ALL LAYERS)
 KEEP OUT AREA FOR HOLD DOWN SOLUTIONS
 3. COMPONENT KEEP OUT AREA FOR CONNECTOR

REVISED	EC NO: S2010-0835	QUALITY SYMBOLS	GENERAL TOLERANCES (UNLESS SPECIFIED)		DIMENSION STYLE		SCALE	DESIGN UNITS	THIRD ANGLE PROJECTION	
	DRWN: CWANG25 2010/04/05	▽ _A =0	mm	INCH	MM ONLY		NTS	METRIC	⊙	
G	CHKD: HARVEY 2005/12/14	▽ _E =0	4 PLACES	± ---	± ---	DRAWN BY	DATE	TITLE		
	APPR: NAGESHKIN 2010/04/07	▽ _F =0	3 PLACES	± ---	± ---	DAVID HU	2005/12/14	LATCH FOR MINIPCI-E		
		▽ _P =0	2 PLACES	± 0.25	± ---	CHECKED BY	DATE	0.8MM PITCH 52 CIRCUIT		
			1 PLACE	± 0.25	± ---	HARVEY	2005/12/14	LEAD-FREE		
			ANGULAR ± 3 °			APPROVED BY	DATE	MOLEX INCORPORATED		
			DRAFT WHERE APPLICABLE MUST REMAIN WITHIN DIMENSIONS			NAGESHKIN	2010/04/07	MOLEX INCORPORATED		
						MATERIAL NO.	DOCUMENT NO.	SHEET NO.		
						480995701	SD-48099-006	3 OF 3		
						THIS DRAWING CONTAINS INFORMATION THAT IS PROPRIETARY TO MOLEX INCORPORATED AND SHOULD NOT BE USED WITHOUT WRITTEN PERMISSION				