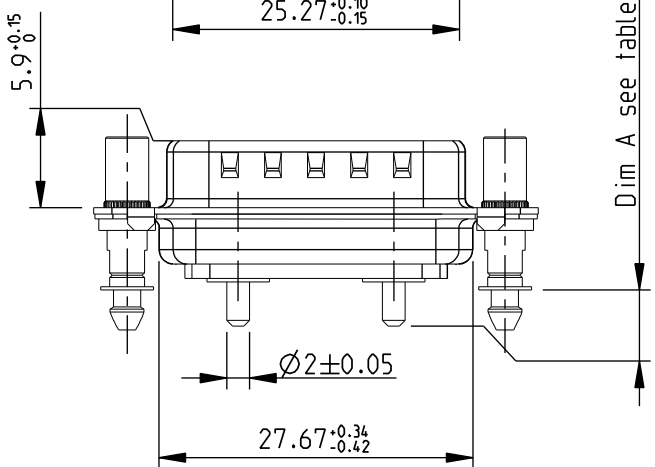
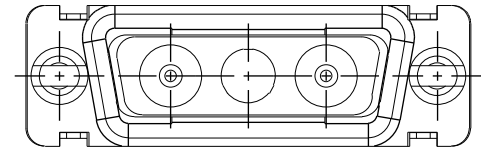
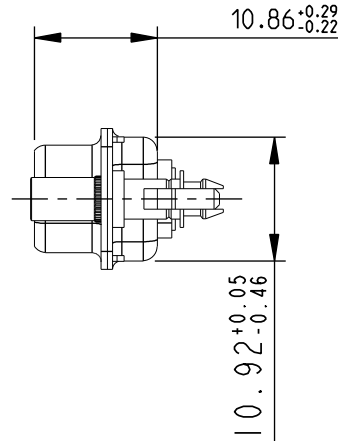
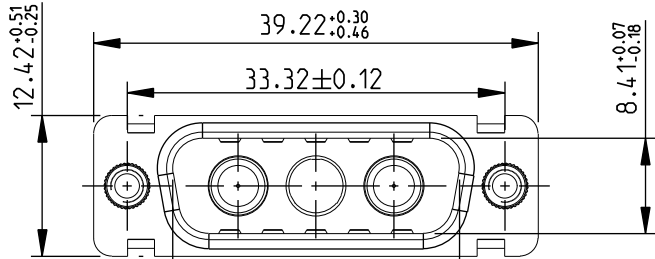


PART NUMBER

DAV3W3P300GXX5JLF

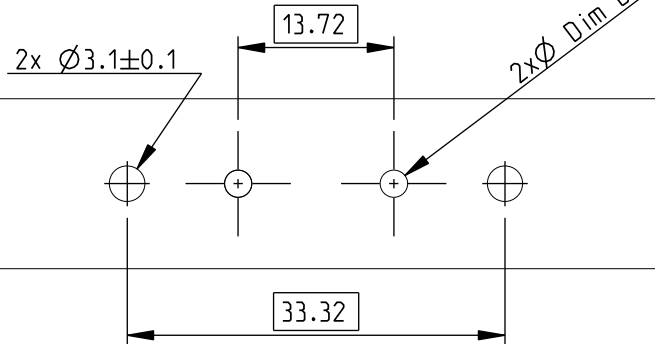
30 : 30A POWER
40 : 40A POWER



	Dim A ±0.25	ØDim B ±0.1
30A	3.1	2.40
40A	3.6	3.10

NOTES

- 1 - 5J FOR UNMOUNTED MIDDLE POWER CONTACT
- 2 - GENERAL CHARACTERISTICS AND ROHS INFORMATIONS
SEE DRAWING NUMBER : C01-8639-2241



rev	ecn no	dr	date
A	F10-0225	APA	10/09/23
-	-	-	-
-	-	-	-
-	-	-	-
-	-	-	-

www.fciconnect.com		surface - ✓	tolerance std	projection	mm
		ISO 1302	ISO 406 ISO 1101	⊕	↔
		TOLERANCES UNLESS OTHERWISE SPECIFIED			
Dr	A Parrenin	10/09/22	ANGULAR	LINEAR	size A4
Eng	A Parrenin	10/09/22	0°	0.x ±/	Scale 3:2
Chr	L Saillard	10/09/22	0° ±/	0.xx ±/	ECN F10-0225
Appr	/	/	Product family		Spec ref /
FCI		title Specific 3W3		dwg no C01-8639-2360	Rev. A
		SUB-D		CUSTOMER	sheet 1 of 1
		catalog no			



Copyright FCI.