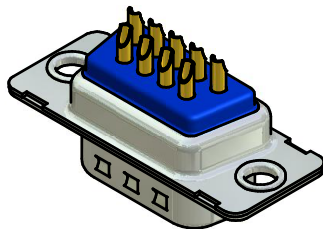
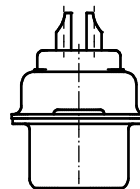
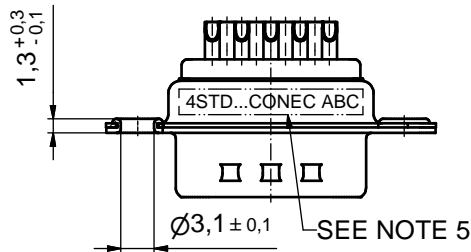
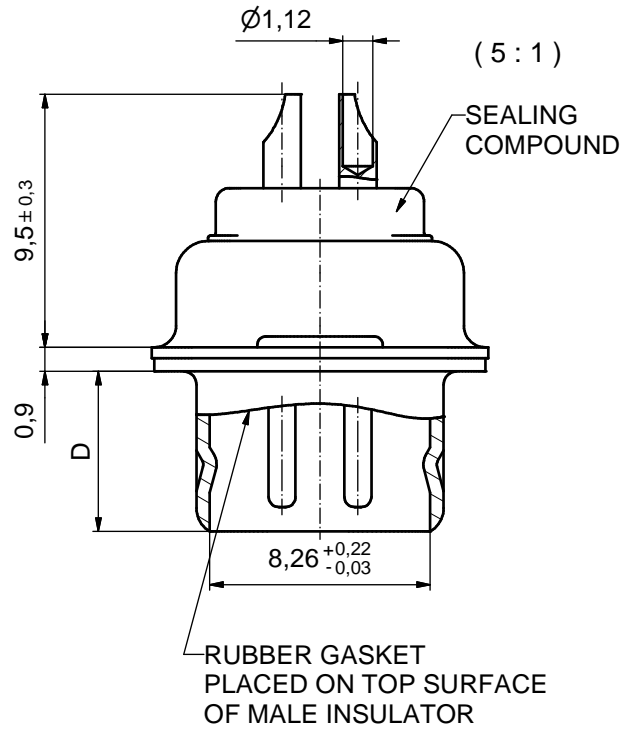
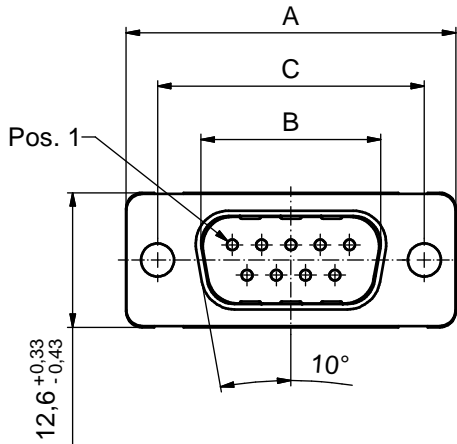


NOTES:

1. METALSHELLS: COPPER ALLOY; min. 315µin TIN over 40-80µin NICKEL
2. INSULATORS: PBT GF UL 94 V-0, BLACK
3. CONTACTS: COPPER ALLOY
PLATING: 30µin HARD GOLD over min. 50µin NICKEL
SOLDER CUP ACCEPTS CABLE AWG 20
4. RUBBER-GASKET: TPE
5. CONNECTOR IS PART MARKED: PART NO CONEC ABC



Directive 2002/95/EC
"RoHS"
Compliant

(b)

No. of pos.	A	B	C	D	Part-No.
9	30,88 ^{+0,31} _{-0,45}	16,84 ^{+0,2} _{-0,05}	24,99 ^{+0,13} _{-0,12}	6,00 ^{+0,12} _{-0,18}	4STD09PCM99A10X
15	39,22 ^{+0,3} _{-0,46}	25,17 ^{+0,2} _{-0,05}	33,32 ^{+0,13} _{-0,12}	6,00 ^{+0,12} _{-0,18}	4STD15PCM99A10X
25	53,09 ^{+0,33} _{-0,43}	38,86 ^{+0,23} _{-0,02}	47,04 ± 0,13	6,00 _{-0,3}	4STD25PCM99A10X
37	69,39 ^{+0,31} _{-0,45}	55,30 ^{+0,25}	63,50 ± 0,13	6,00 _{-0,3}	4STD37PCM99A10X

APPROVAL # FREIGABE # DEBLOCAGE # AUTORIZACION # APPROVAL	
CUSTOMER APPROVAL DATE:	
NAME:	TITLE:
COMPANY NAME:	
APPROVAL # FREIGABE # DEBLOCAGE # AUTORIZACION # APPROVAL	

THIS DRAWING MAY NOT BE COPIED OR REPRODUCED IN ANY WAY AND MAY NOT BE PASSED ON TO A THIRD PARTY WITHOUT WRITTEN PERMISSION. OWNERSHIP AND COPYRIGHT OF CONEC GmbH				tolerance		dim. in mm
				date	name	
1 x c	Ä 3495	10.11.09	Petker	drawn	11.02.99	Barcinski
1 x b	Ä 2179	07.03.05	Lehm.	appd.	11.02.99	Mickenbecker
a	Origin			norm		
rev.	description	date	name	d-old		

scale: 2:1 (5:1)	
material: SEE NOTES	
title: D-SUB MALE SOLDER CUP 9-37pos. for installation into water resistant hood	
dwg no: Inventor 10 (C)	DIN-A3
18K11B3A	
part no: SEE TABLE	sh: 1

