

4

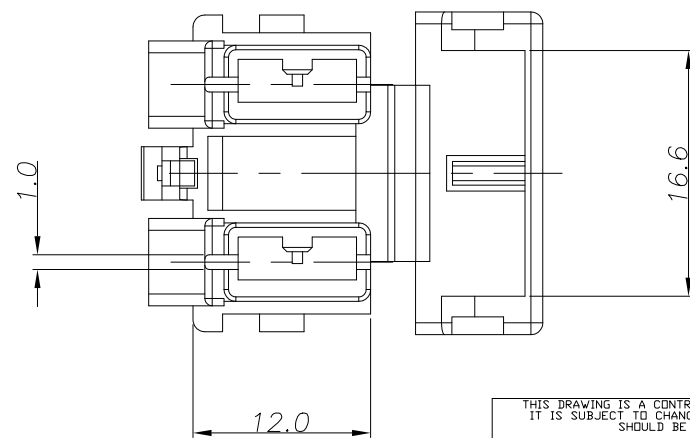
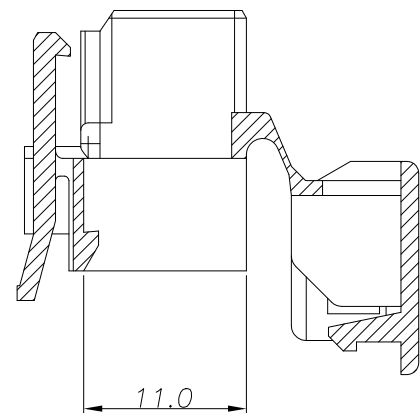
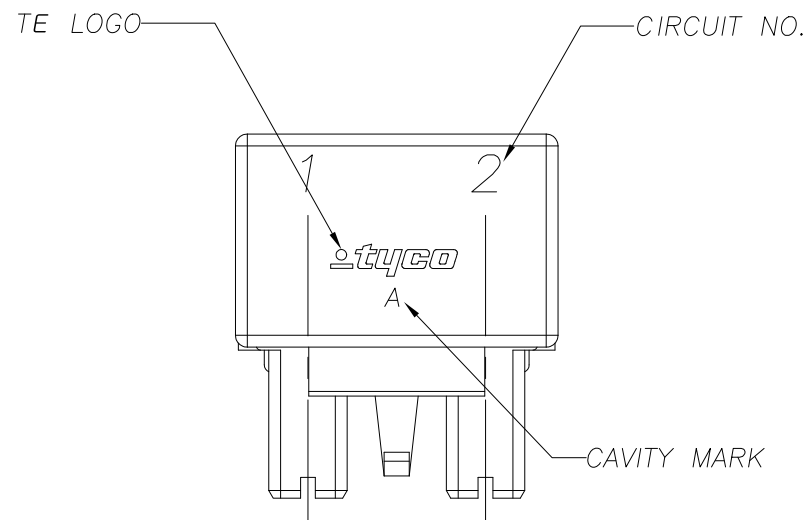
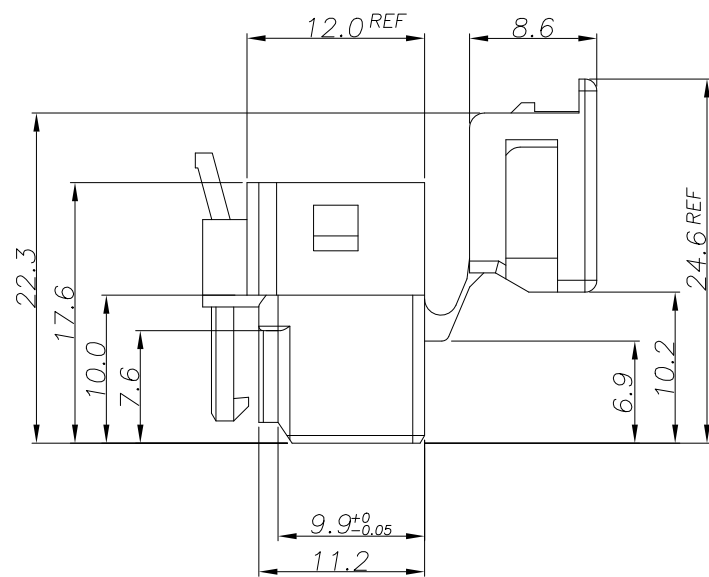
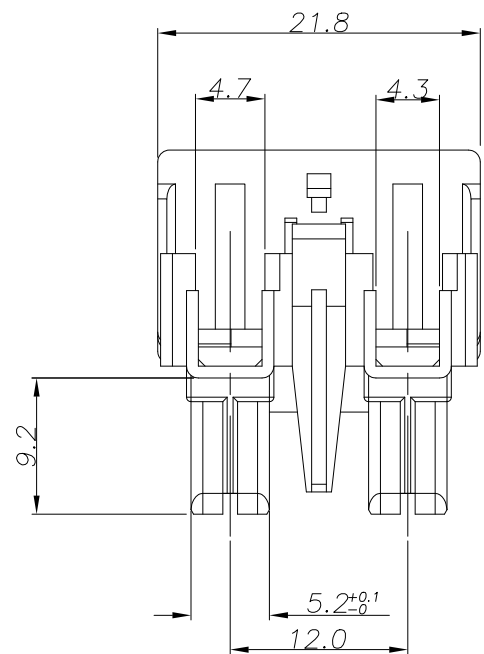
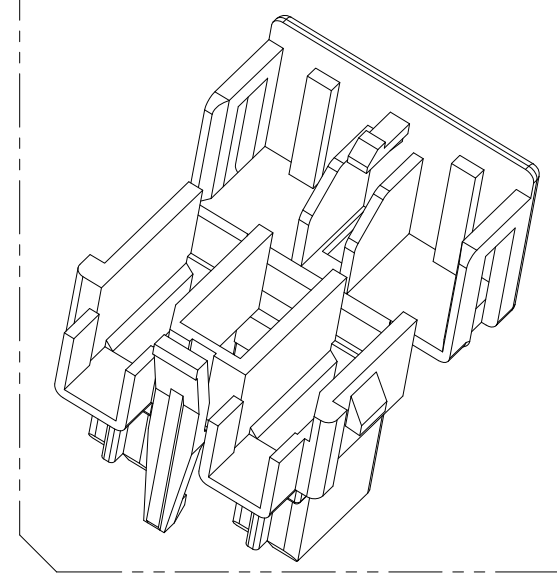
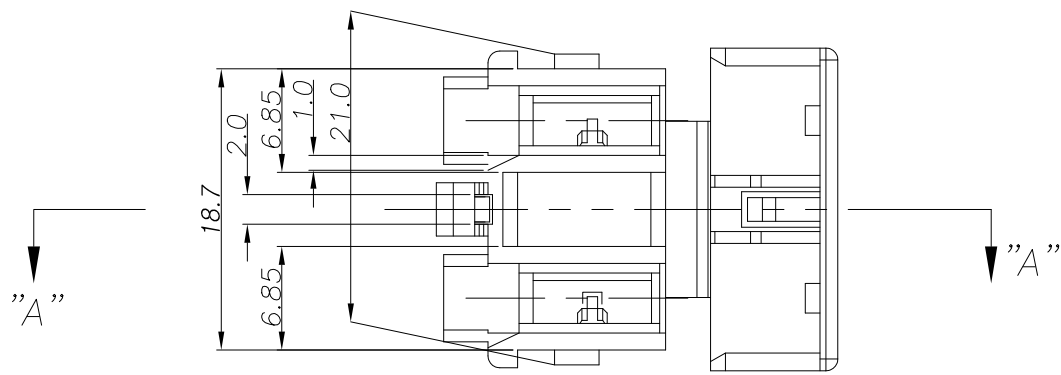
3

2

1

THIS DRAWING IS UNPUBLISHED. RELEASED FOR PUBLICATION
© COPYRIGHT BY TYCO ELECTRONICS CORPORATION, ALL RIGHTS RESERVED.

LOC	DIST	REVISIONS					
DS	-	P	LTR	DESCRIPTION	DATE	DWN	APVD
		E		REVISED (ECR-09-002586)	10FEB.'09	BH	JK



NOTES

1. APPLICABLE CONTACT P/N : 1743221-1

①	1-1743165-8	6/6 NYLON(GWT)	BLUE
①	1-1743165-5	6/6 NYLON(GWT)	YELLOW
	1-1743165-2	6/6 NYLON(GWT)	BLACK
	1-1743165-1	6/6 NYLON(GWT)	NATURAL
	1743165-8	6/6 NYLON	BLUE
	1743165-5	6/6 NYLON	YELLOW
	1743165-2	6/6 NYLON	BLACK
	1743165-1	6/6 NYLON	NATURAL
	P/N	MATERIAL	COLOR

THIS DRAWING IS A CONTROLLED DOCUMENT FOR TYCO ELECTRONICS CORPORATION IT IS SUBJECT TO CHANGE AND THE CONTROLLING ENGINEERING ORGANIZATION SHOULD BE CONTACTED FOR THE LATEST REVISION.		DWN BH CHO	AMP KOREA, Kyungsan, Korea	
DIMENSIONS: MM		CHK BW KANG		
TOLERANCES UNLESS OTHERWISE SPECIFIED:		APVD JK SONG	NAME	
0 <XX<10 ± 0.2		PRODUCT SPEC 108-61065	250 FLAG P/LOCK-EX (Pitch=12mm) 2P WITH LOCK TYPE	
10<XX<30 ± 0.25		APPLICATION SPEC -	SIZE	CAGE CODE
30<XX ± 0.3		WEIGHT -	A3	00779
ANGLES ± 3°		DRAWING NO		RESTRICTED TO
MATERIAL	FINISH	A3 00779 C-1743165		-
SEE TABLE	-	CUSTOMER DRAWING		SCALE 2/1 SHEET 1 OF 1 REV E