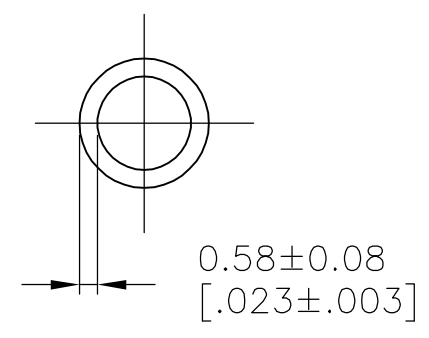
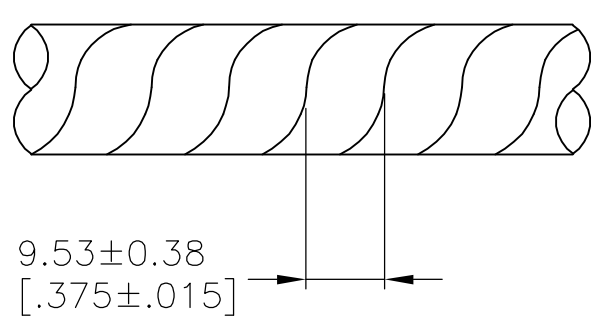


THIS DRAWING IS UNPUBLISHED. RELEASED FOR PUBLICATION
 © COPYRIGHT - BY TYCO ELECTRONICS CORPORATION. ALL RIGHTS RESERVED.

LOC	DIST	REVISIONS					
		P	LTR	DESCRIPTION	DATE	DWN	APVD
CM	0		H2	ECO-06-017742	27JUL06	BSV	DC



1. MAX BUNDLE RANGE: 4.78[.188] TO 50.80[2.000].
2. WEIGHT PER 304.8M[1000ft]: 3.63kg[8lb].
3. OVERALL LENGTH TO BE WITHIN +1 Ft -0 Ft.
4. ONE SPLICE PER BOX IS ALLOWABLE.

15.24M[50ft]BOX	BLACK	500036-1
LENGTH	COLOR	PART NUMBER

THIS DRAWING IS A CONTROLLED DOCUMENT.		DWN W.CHANDLER	03JAN94	Tyco Electronics Corporation Harrisburg, PA 17105-3608	
DIMENSIONS: mm [INCHES]		CHK D KAAT	03JAN94		
		APVD D KAAT	03JAN94	NAME SPIRAP, OUTDOOR 1/4 INCH DIAMETER	
TOLERANCES UNLESS OTHERWISE SPECIFIED:		PRODUCT SPEC		SIZE	
0 PLC	± -	APPLICATION SPEC		CAGE CODE	DRAWING NO
1 PLC	± -	MATERIAL		RESTRICTED TO	
2 PLC	± -	NYLON		SCALE	SHEET
3 PLC	± -	FINISH		4:1	1 OF 1
4 PLC	± -	WEIGHT		REV	H2
ANGLES	± -	CUSTOMER DRAWING		A3 00779 C-500036	