

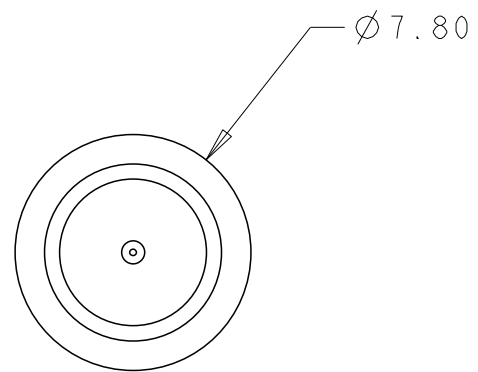
THIS DRAWING IS UNPUBLISHED.

RELEASED FOR PUBLICATION

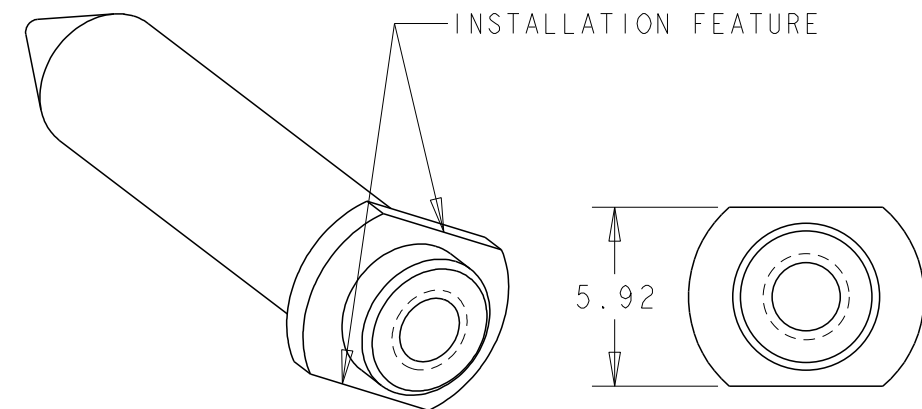
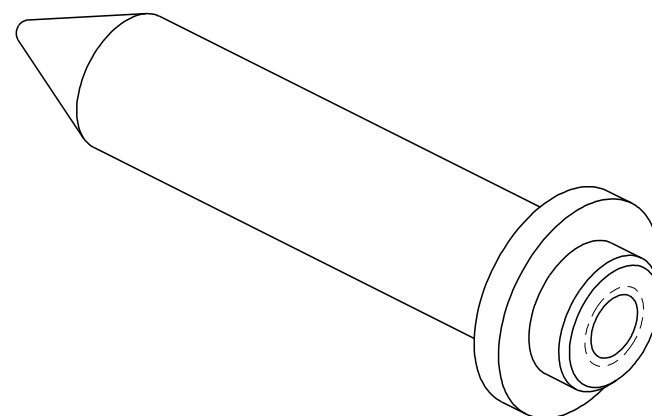
20

© COPYRIGHT 20 BY TYCO ELECTRONICS CORPORATION. ALL RIGHTS RESERVED.

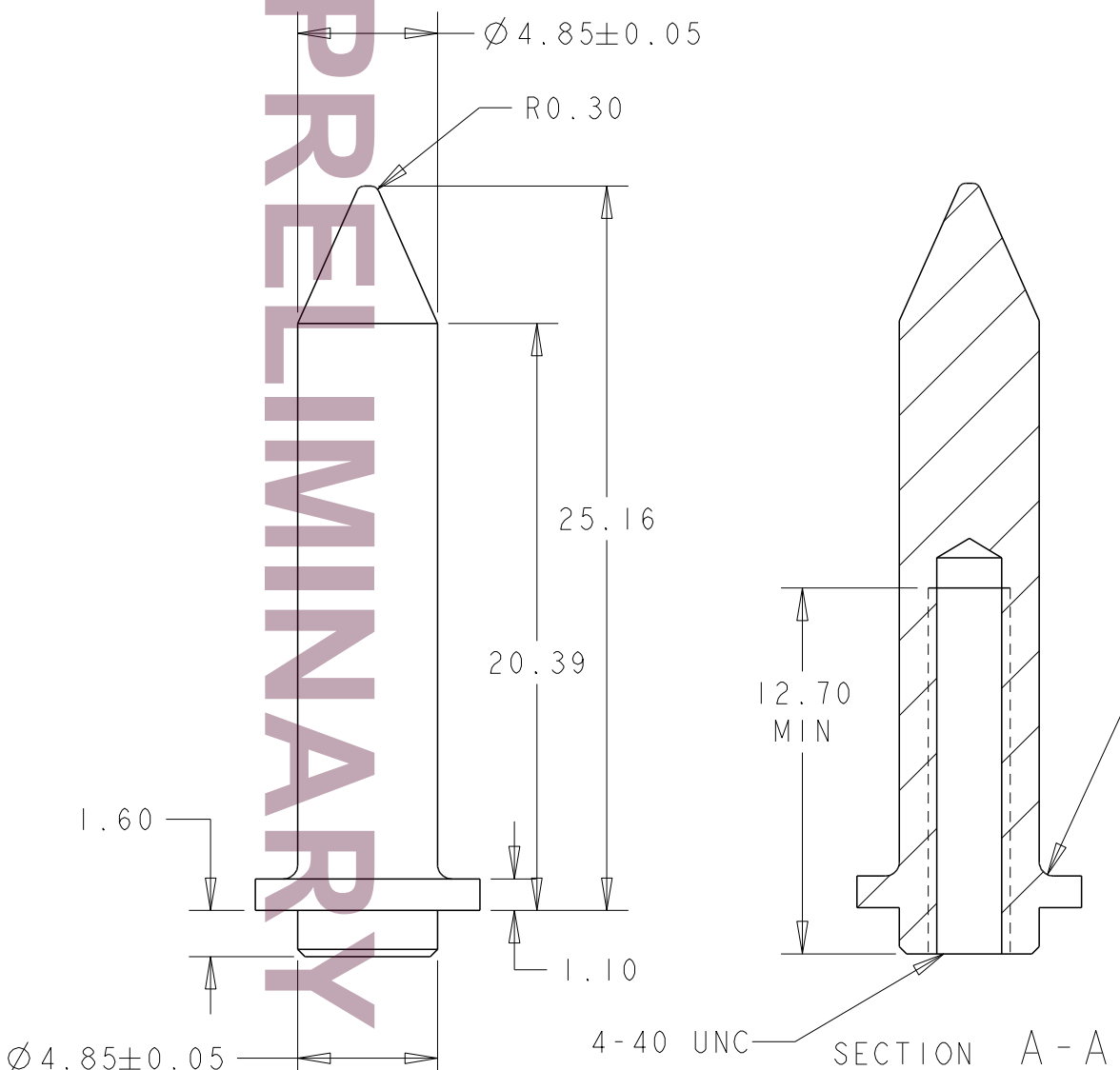
LOC	DIST	REVISIONS			
P	LTR	DESCRIPTION	DATE	DWN	APVD
AD	00				
	I	PROPOSED	25APR2008	BC	RP
	A	RELEASED	06AUG2008	DH	RP
	AI	RELEASED NEW PART -3	18NOV2015	ML	SZ



- 1 MATERIAL: STAINLESS STEEL.
- 2 PASSIVATE.



PRELIMINARY



UPM GUIDE PIN WITH INSTALLATION EDGE	120985-3
UPM GUIDE PIN NO INSTALLATION EDGE	120985-1
DESCRIPTION	PART NUMBER

THIS DRAWING IS A CONTROLLED DOCUMENT FOR TYCO ELECTRONICS CORPORATION IT IS SUBJECT TO CHANGE AND THE CONTROLLING ENGINEERING ORGANIZATION SHOULD BE CONTACTED FOR THE LATEST REVISION.		DWN	B. CARBO	25APR2008	Tyco Electronics Harrisburg, PA 17105-3608	
DIMENSIONS: mm		CHK	R. PATTERSON	25APR2008	NAME	
TOLERANCES UNLESS OTHERWISE SPECIFIED:		APVD	R. PATTERSON	25APR2008	GUIDE PIN, UNIVERSAL POWER MODULE	
0 PLC ±-		PRODUCT SPEC		-		SIZE
1 PLC ±0.0		APPLICATION SPEC		-		CAGE CODE
2 PLC ±0.13		WEIGHT		-		DRAWING NO
3 PLC ±0.000		CUSTOMER DRAWING		-		RESTRICTED TO
4 PLC ±0.0000		SCALE		4:1		SHEET
ANGLES ±-		SHEET		1		OF
FINISH		REV		AI		
1	2	A 300779		C=120985		