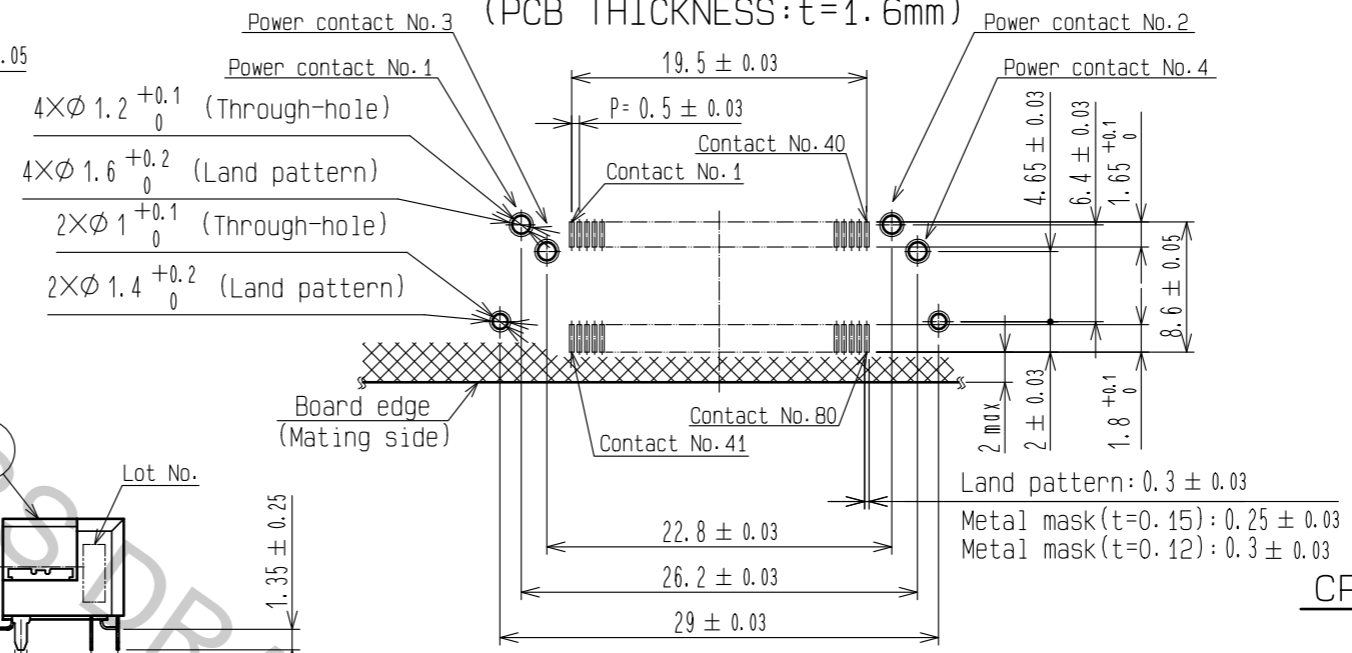
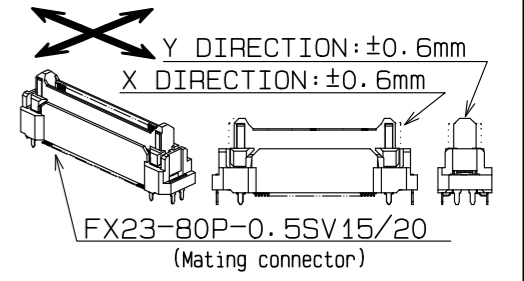


RECOMMENDED LAND PATTERN DIMENSION OF PCB

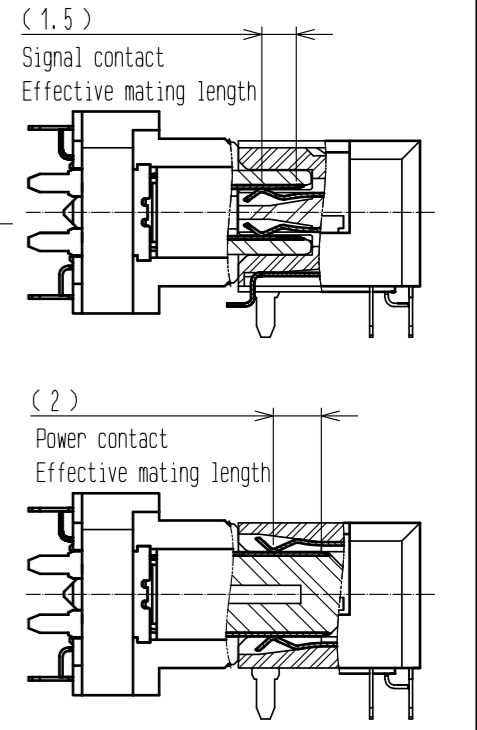
(PCB THICKNESS: t=1.6mm)



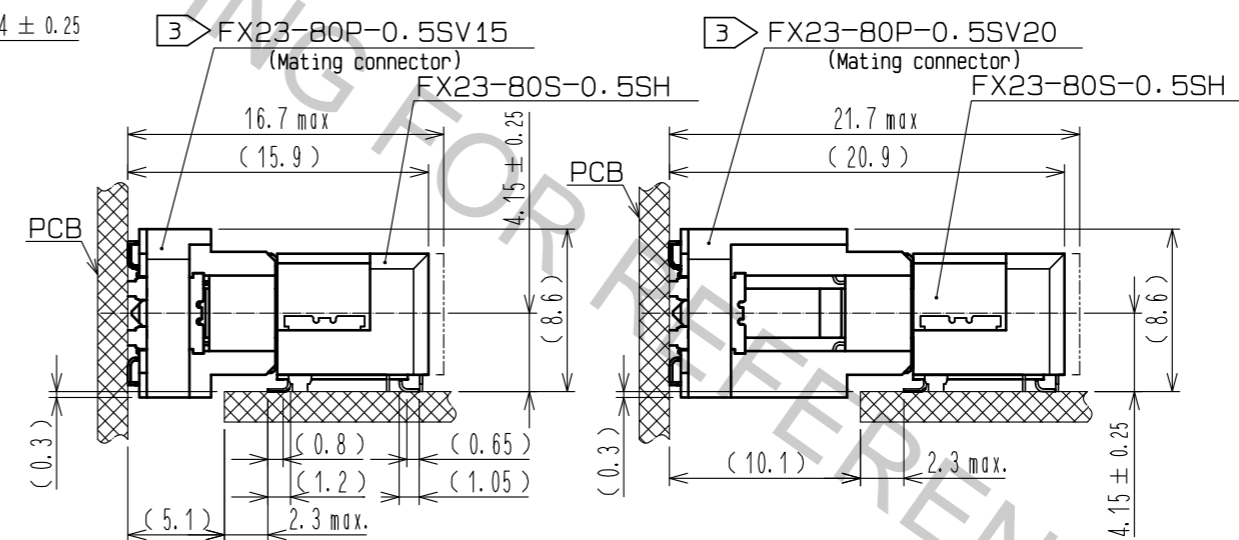
FLOATING RANGE



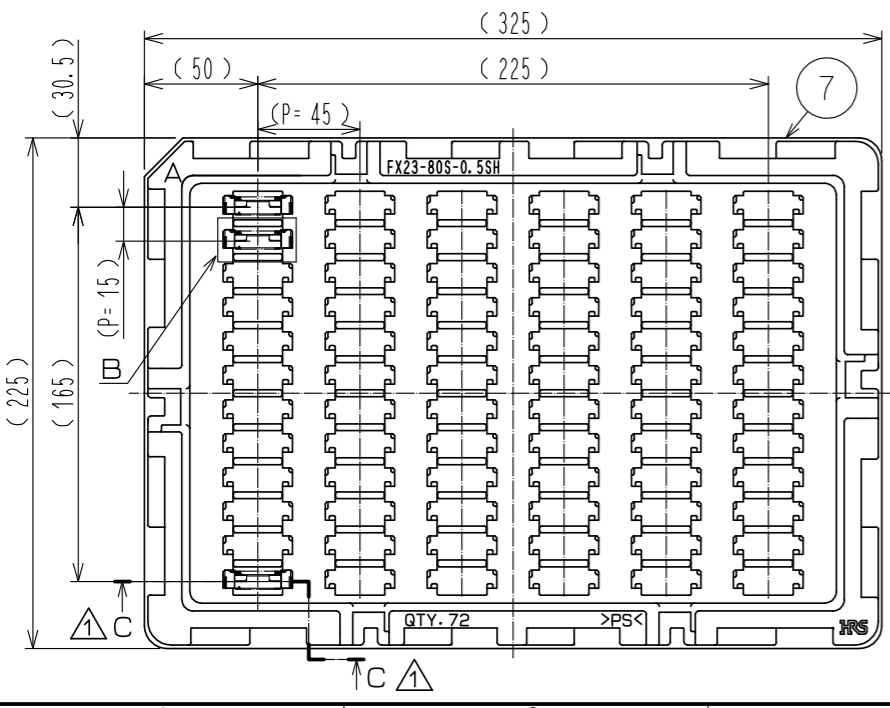
CROSS SECTION OF MATING
(No scale)



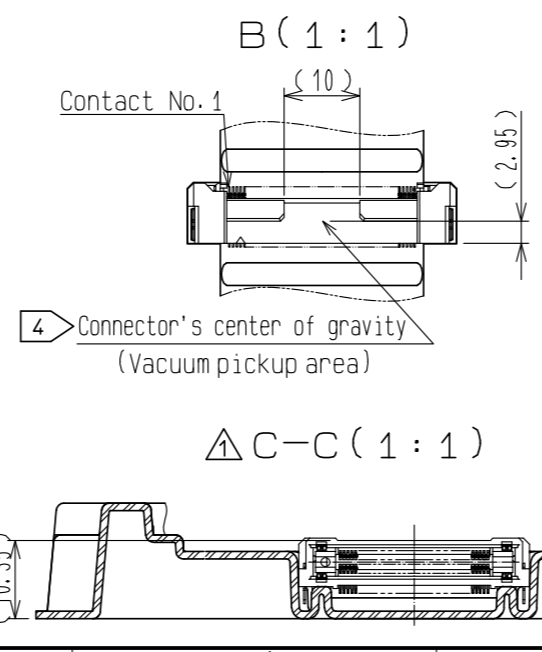
PCB DISTANCE (No scale)



DRAWING FOR PACKING (No scale)



- 1 Lead CO-Planarity is 0.1mm MAX.
- 2 This is packaged in tray. (72pcs/tray)
- 3 Floating range of this connector is ±0.6mm MAX.
- 4 It shows the vacuum pickup area.
- 5 Blemish and hit mark can be occurred through out the manufacturing process which doesn't affect quality level.
- 6 The dimensions in parentheses are for references.



NO.	MATERIAL	FINISH	REMARKS	NO.	MATERIAL	FINISH	REMARKS
2, 3	COPPER ALLOY		CONTACT AREA: GOLD 0.1 μm LEAD AREA: GOLD 0.03 μm UNDER PLATING: NICKEL 1.3 μm	7	POLYSTYRENE		(TRAY)
1	LCP		BLACK UL94V-0	6	BRASS		LEAD AREA: TIN-PLATING 3 μm UNDER PLATING: NICKEL 1 μm
				4, 5	COPPER ALLOY		CONTACT AREA: GOLD 0.1 μm LEAD AREA: TIN-PLATING 1 μm UNDER PLATING: NICKEL 1.3 μm

UNITS	SCALE	COUNT	DESCRIPTION OF REVISIONS	DESIGNED	CHECKED	DATE
mm	2 : 1	3	DIS-F-00001541	TS.00NO	KN. SHIBUYA	16.08.23

APPROVED	CHECKED	DESIGNED	DRAWN	DRAWING NO.	PART NO.	CODE NO.
HS. OKAWA	KN. SHIBUYA	TS.00NO	TS.00NO	EDC3-353568-00	FX23-80S-0.5SH	CL573-3404-7-00