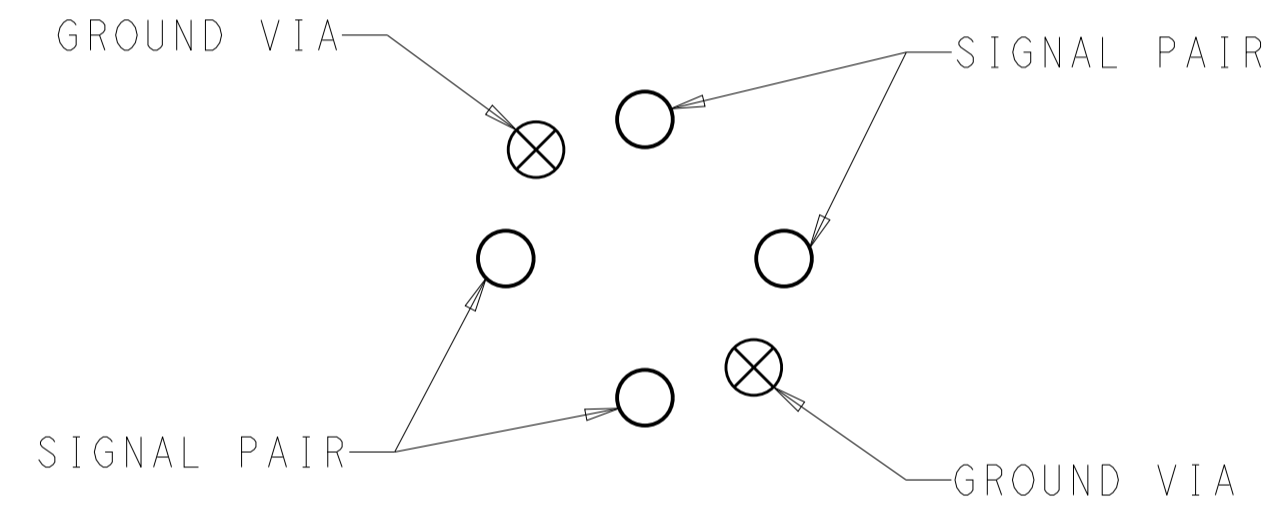
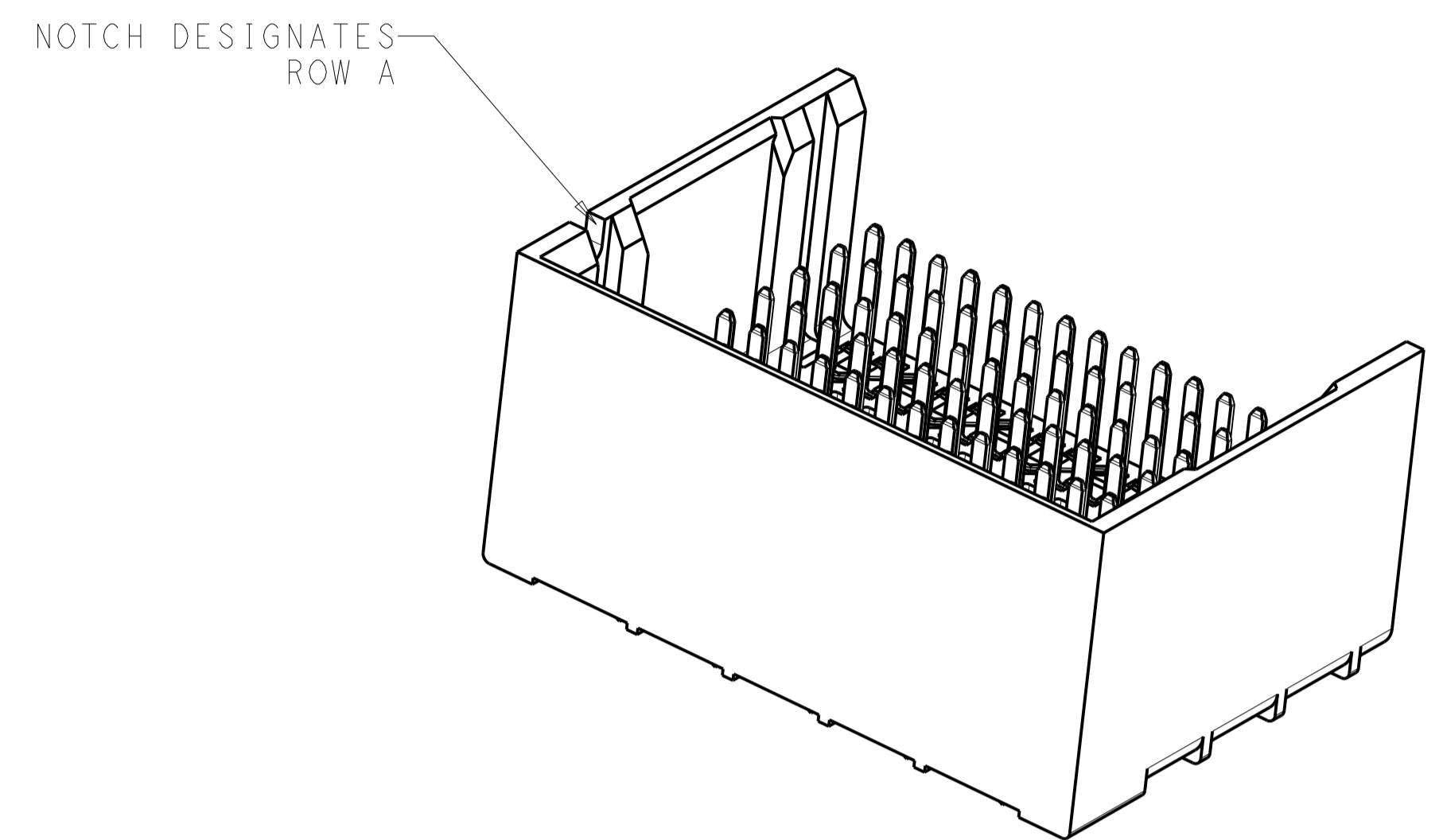
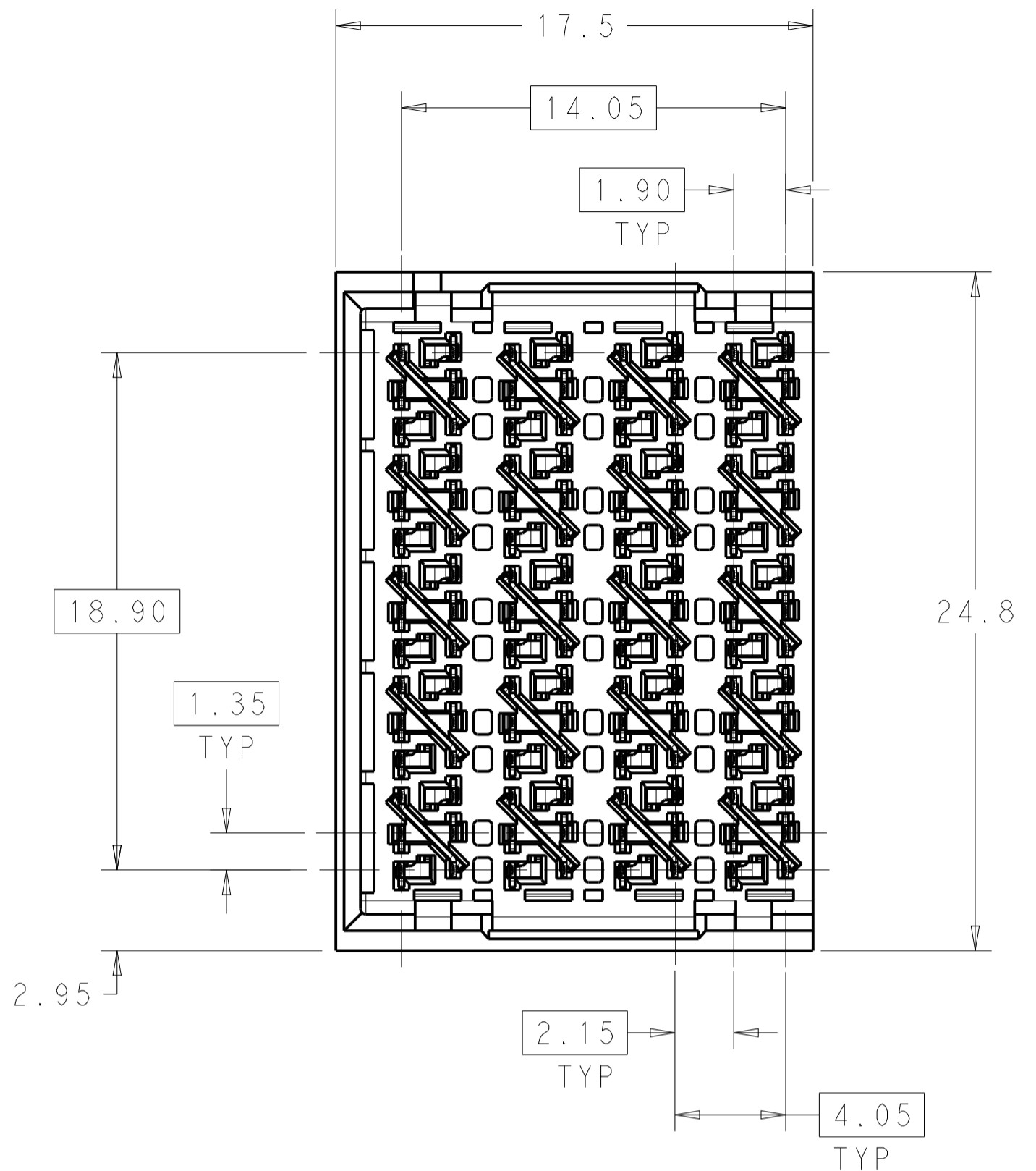


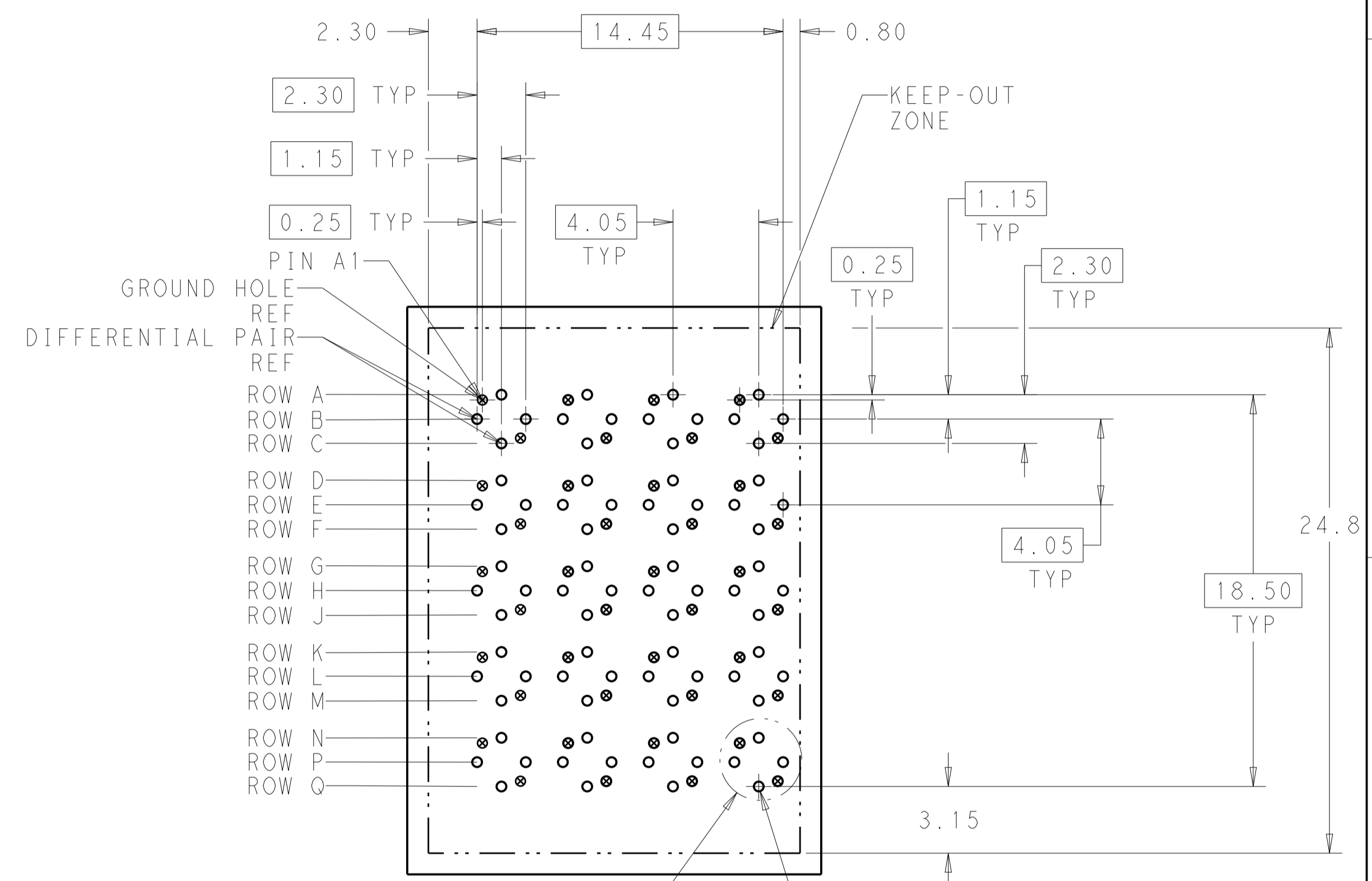
REVISIONS				
P.	LTN	DESCRIPTION	DATE	OWN APVD
B		REVISED PER ECO-14-013272	09SEP2014	AP DD



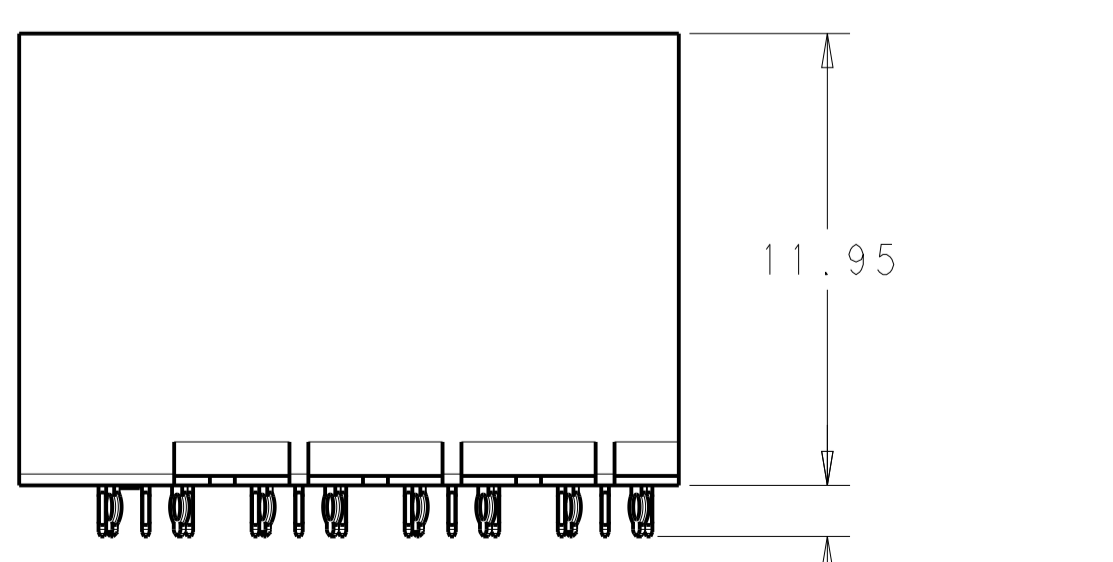
DETAIL X
SCALE 16:1

⚠ MATERIAL:
HOUSING: LCP, GLASS FILLED, UL94V-0.
TERMINALS: HIGH PERFORMANCE COPPER ALLOY.

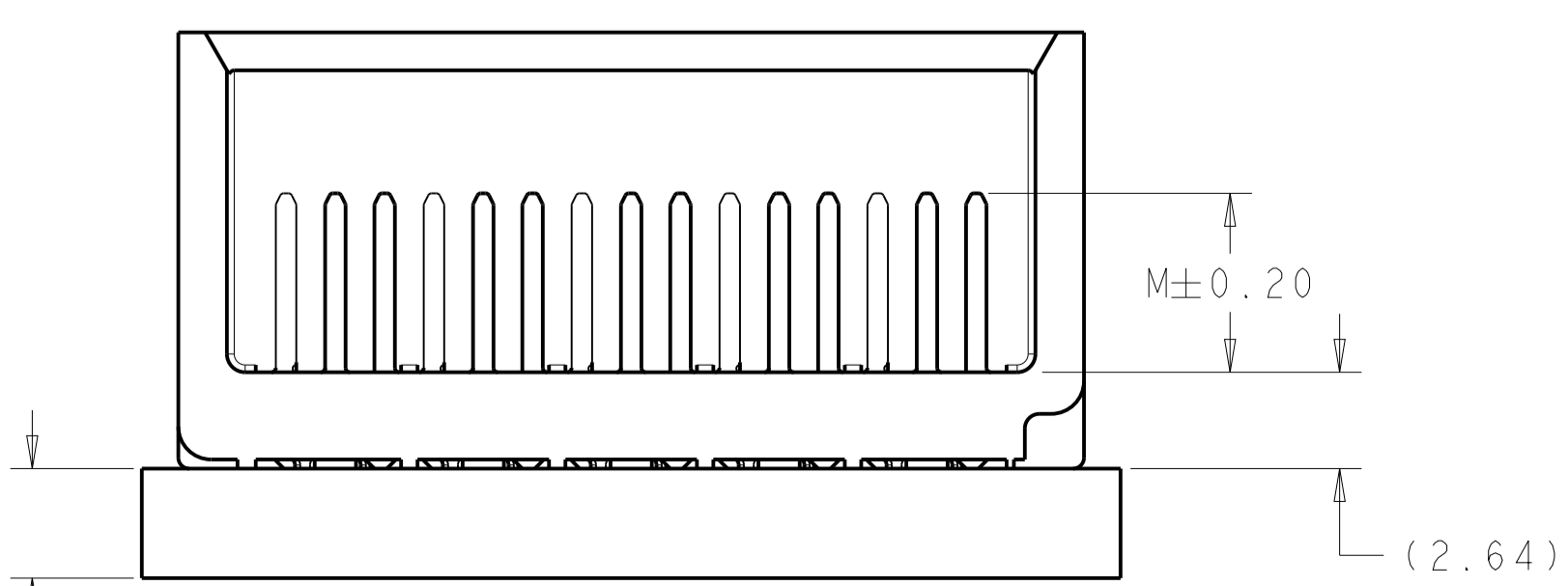
⚠ FINISH:
30μ" MIN GOLD IN CONTACT AREA. SELECTIVE TIN ON PCB TAILS, NICKEL OVERALL.



UNGUIDED BACKPLANE HOLE PATTERN (CONNECTOR SIDE)



1.4 TAIL LENGTH



3.00 MINIMUM BOARD THICKNESS

THIS DRAWING IS A CONTROLLED DOCUMENT.		OWN: KIRAN HOLH 01DEC2012	TE Connectivity
DIMENSIONS: mm		CHK: D. DIXON 01DEC2012	
TOLERANCES UNLESS OTHERWISE SPECIFIED:		APVD: D. DIXON 01DEC2012	NAME: IMPACT, ORTHOGONAL, 5 PAIR, 8 COLUMN HEADER, UNGUIDED, LEFT END WALL SIGNAL MODULE, 0.46 PTH
0 PLC	±	PRODUCT SPEC	SIZE: CAGE CODE DRAWING NO. RESTRICTED TO
1 PLC	±0.25	APPLICATION SPEC	A100779C=2143623
2 PLC	±0.13	WEIGHT	SCALE: 5:1 SHEET 1 OF 2 REV B
3 PLC	±	CUSTOMER DRAWING	
4 PLC	±		
ANGLES	±		
MATERIAL	SEE TABLE		

THIS DRAWING IS UNPUBLISHED. RELEASED FOR PUBLICATION 20
 © COPYRIGHT 20 TE CONNECTIVITY ALL RIGHTS RESERVED.

REVISIONS				
P.	LTN	DESCRIPTION	DATE	APVD
-	-	SEE SHEET 1	-	-

	5.5	2143623-2
	4.9	2143623-1
FINISH	DIM M	PART NUMBER

REFER TO WWW.TE.COM
FOR PRODUCT AVAILABILITY

THIS DRAWING IS A CONTROLLED DOCUMENT.		DWN: KIRAN HOLHL 01DEC2012 CHK: D. DIXON 01DEC2012 APVD: D. DIXON 01DEC2012	
DIMENSIONS: mm	TOLERANCES UNLESS OTHERWISE SPECIFIED: 0 PLC ±0.25 1 PLC ±0.13 2 PLC ±0.13 3 PLC ±0.13 4 PLC ±0.13 ANGLES ±0.13	NAME: IMPACT, ORTHOGONAL, 5 PAIR, 8 COLUMN HEADER, UNGUIDED, LEFT END WALL SIGNAL MODULE, 0.46 PTH SIZE: A1 CAGE CODE: 00779 DRAWING NO: 2143623	
	FINISH: SEE TABLE MATERIAL: - WEIGHT: - CUSTOMER DRAWING	RESTRICTED TO: - SCALE: 5:1 SHEET: 2 OF 2 REV: B	