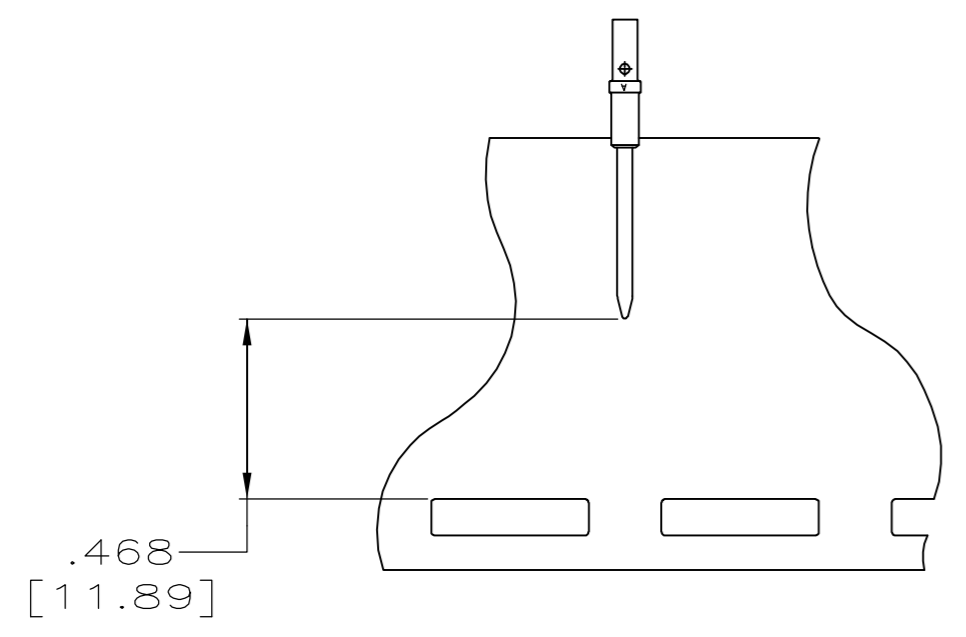
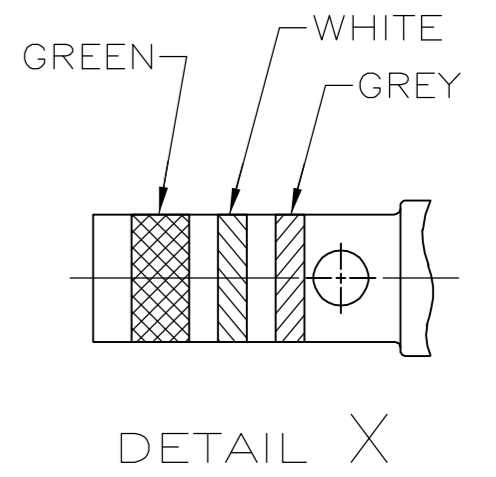
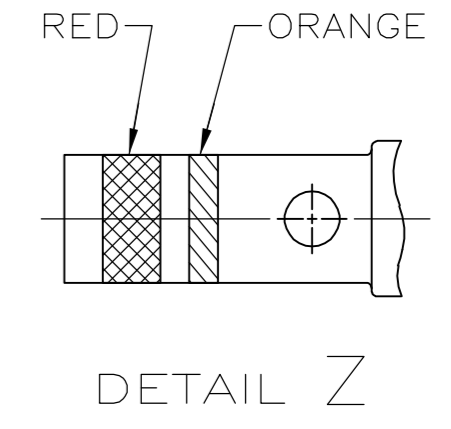
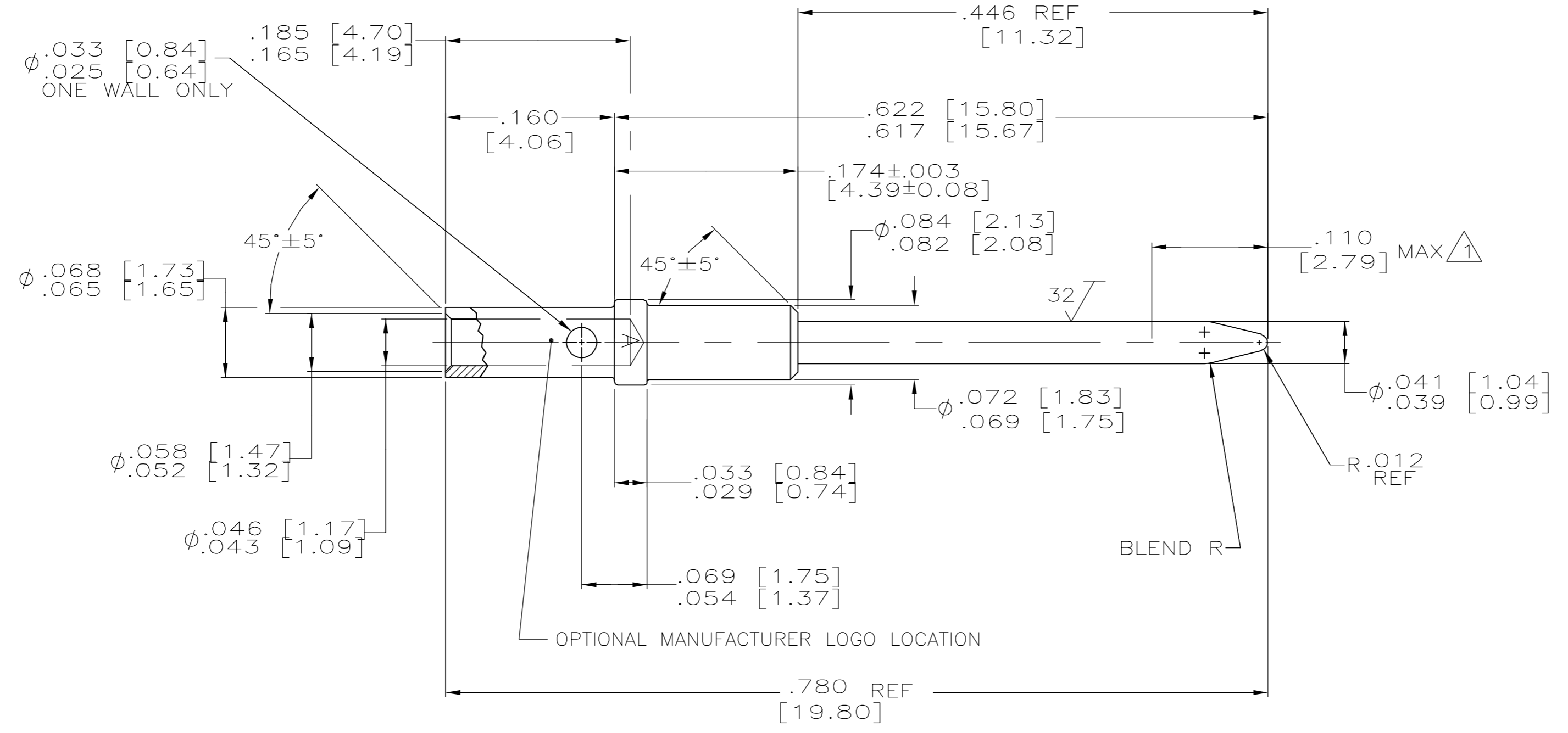


THIS DRAWING IS UNPUBLISHED. RELEASED FOR PUBLICATION  
 © COPYRIGHT BY TYCO ELECTRONICS CORPORATION. ALL RIGHTS RESERVED.

LOC	DIST	REVISIONS					
DF	A0	P	LTR	DESCRIPTION	DATE	DWN	APVD
		H		REV PER EC 0H14-0154-04	23JAN06	TK	CT

- ① ELECTRICAL ENGAGEMENT POINT
- ② AS SHOWN
- ③ SAME AS -2 EXCEPT:  
COLOR CODE PER DETAIL Z
- ④ SAME AS -2 EXCEPT:  
COLOR CODE PER DETAIL X



TAPE MT'D ASS'Y  
 (-3 ONLY)  
 SCALE 2:1

OBSOLETE	④	208265-5
	-	208265-4
	③	208265-3
	②	208265-2
DESCRIPTION		PART NUMBER

THIS DRAWING IS A CONTROLLED DOCUMENT.		DWN	J.A.Baker	02-11-99	 Tyco Electronics Corporation Harrisburg, PA 17105-3608
DIMENSIONS: INCHES		CHK	S.GLATFELTER	-	
TOLERANCES UNLESS OTHERWISE SPECIFIED:		APVD	S.GLATFELTER	-	NAME
0 PLC	± -	PRODUCT SPEC	PIN CONTACT, SIZE 20 ARINC 600 TYPE		
1 PLC	± -	APPLICATION SPEC	SIZE	A2	CAGE CODE
2 PLC	± -		00779	DRAWING NO	C=208265
3 PLC	± .005 [0.13]		RESTRICTED TO	-	
4 PLC	± - 2'			SCALE	10:1
MATERIAL: LEADED COPPER		FINISH	GOLD PER MIL-G-45204 OVER NICKEL PER QQ-N-290	WEIGHT	-
		CUSTOMER DRAWING		SHEET	1 of 1