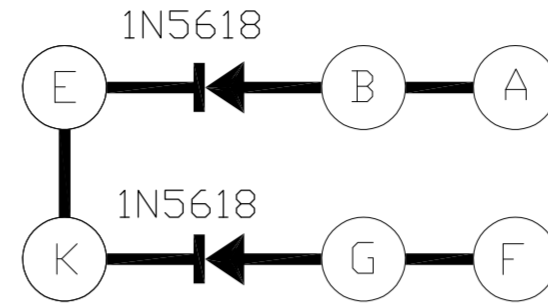
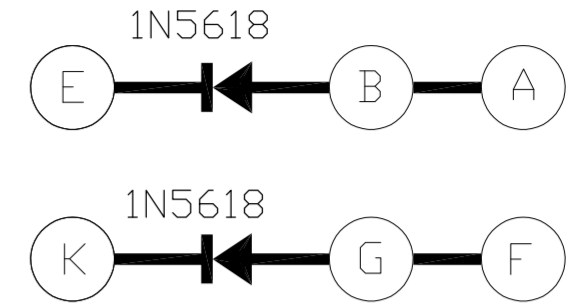


| THIS DRAWING IS UNPUBLISHED. | | RELEASED FOR PUBLICATION |
|---|---|----------------------------|
| © COPYRIGHT BY TYCO ELECTRONICS CORPORATION. ALL RIGHTS RESERVED. | | |
| DESCRIPTION | MATERIAL | FINISH |
| MODULE ASSEMBLY | D.A.P. PER MIL-M-14 | COLOR: GREEN |
| GROMMET | FLUORSILICONE RUBBER PER MIL-T-81714, CLASS B | COLOR: NATURAL |
| CONTACT SOCKET | BERYLLIUM COPPER PER QQ-C-533 | GOLD PLATE PER MIL-G-45204 |
| RETAINING CLIP | BERYLLIUM COPPER PER QQ-C-533 OR STAINLESS STEEL PER QQ-S-766 | NONE |
| DIODES (QTY=2) | 1N5618 | - - |

| LOC | DIST | REVISIONS | | | | | |
|-----|------|-----------|-----|-----------------------|---------|-----|------|
| DF | AO | P | LTR | DESCRIPTION | DATE | DWN | APVD |
| | | E | | REV PER ECD-08-022704 | 23OCT08 | PY | DE |

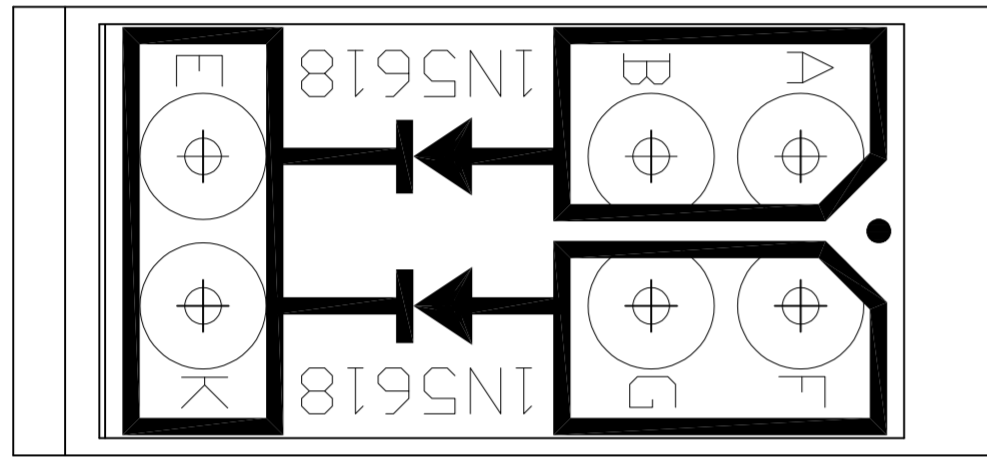


SCHEMATIC FOR -1
SCALE 4:1



SCHEMATIC FOR -2
SCALE 4:1

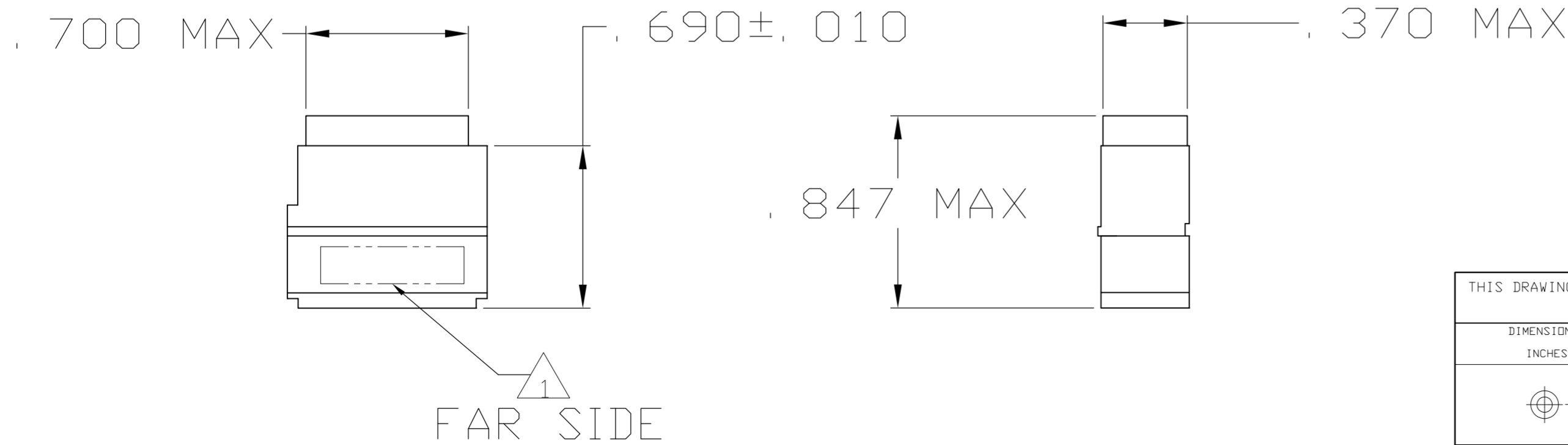
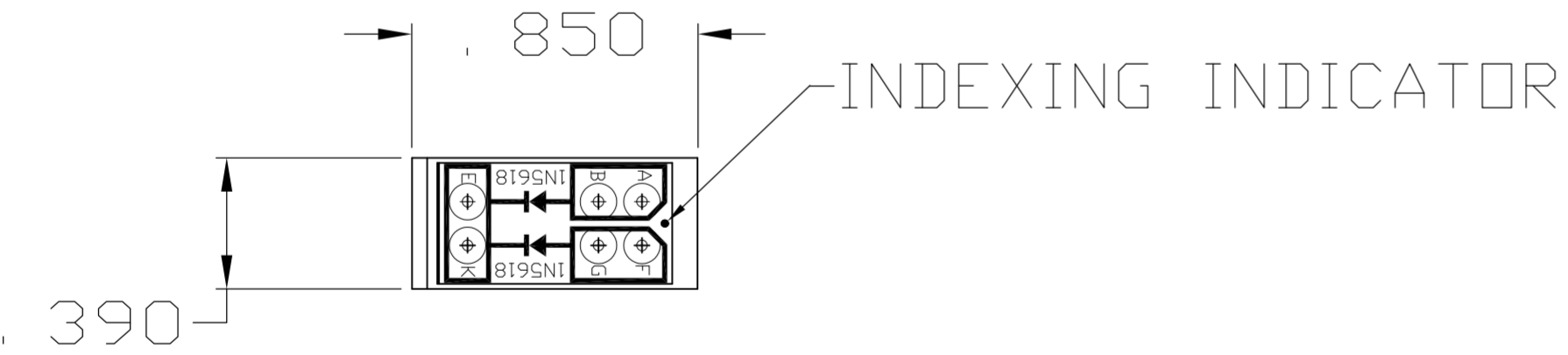
WIRING SCHEMATIC ABOVE DOES NOT DETERMINE MARKING ORIENTATION



MARKING ORIENTATION REF
-1 SHOWN

- MARK MODULE ASSEMBLY WITH "AMP", AMP PART NO. AND DATE CODE .060 MINIMUM HIGH CHARACTERS AT APPROXIMATE AREA SHOWN.
- PIN CONTACTS, SEALING PLUGS AND TOOLS NOT SUPPLIED MUST ORDER SEPARATELY.

| ITEMS | AMP P/N | MILITARY P/N |
|---------------|------------|--------------|
| PIN CONTACTS | 2-592404-1 | M39029/1-101 |
| SEALING PLUGS | 592104-1 | MS27488-20 |
| TOOLS | 592105-1 | M81969/14-11 |
- MODULE MEETS APPLICABLE REQUIREMENTS OF MIL-T-81714 CLASS "B". ENVIRONMENTS CREATED BY OPERATION OF INTERNAL ELECTRIC COMPONENTS WHICH EXCEED THE MODULE RATED PERFORMANCE IS THE RESPONSIBILITY OF THE USER. THE ELECTRONIC COMPONENT SPECIFICATION SHOULD BE CONSULTED.
- DIODE MQ1N5618, MX1N5618 OR MXV1N5618 MAY BE SUBSTITUTED FOR JAN1N5618. DIODES MAY BE A COMMERCIAL DIODE THAT HAS BEEN UP-SCREENED TO MEET THE REQUIREMENTS OF JAN1N5618



| | |
|---------------|----------|
| SEE SCHEMATIC | 591817-2 |
| SEE SCHEMATIC | 591817-1 |
| PART | PART NO. |

| | | | |
|--|--------|-----------------------------|---|
| THIS DRAWING IS A CONTROLLED DOCUMENT. | | DWN 8-26-03 C. C. THOMAS | Tyco Electronics Corporation Harrisburg, Pa 17105-3608 |
| DIMENSIONS: INCHES | | CHK 8-27-03 D. EABY | |
| TOLERANCES UNLESS OTHERWISE SPECIFIED: | | APVD 8-27-03 D. EABY | NAME |
| 0 PLC | ± - | PRODUCT SPEC | - |
| 1 PLC | ± - | APPLICATION SPEC | FEED-BACK MODULE ASSY, SIZE 20, TJ WITH TWO DIODES |
| 2 PLC | ± - | WEIGHT | - |
| 3 PLC | ± .010 | SCALE | A2 00779 C-591817 |
| 4 PLC | ± - | SHEET | 1 OF 1 |
| ANGLES | ± - | REV | E |
| FINISH | - | CUSTOMER DRAWING | |