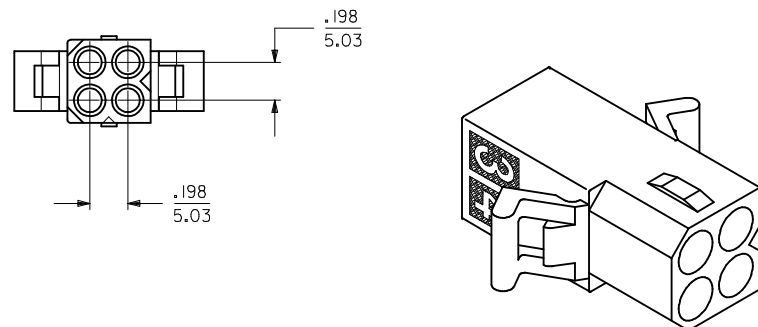
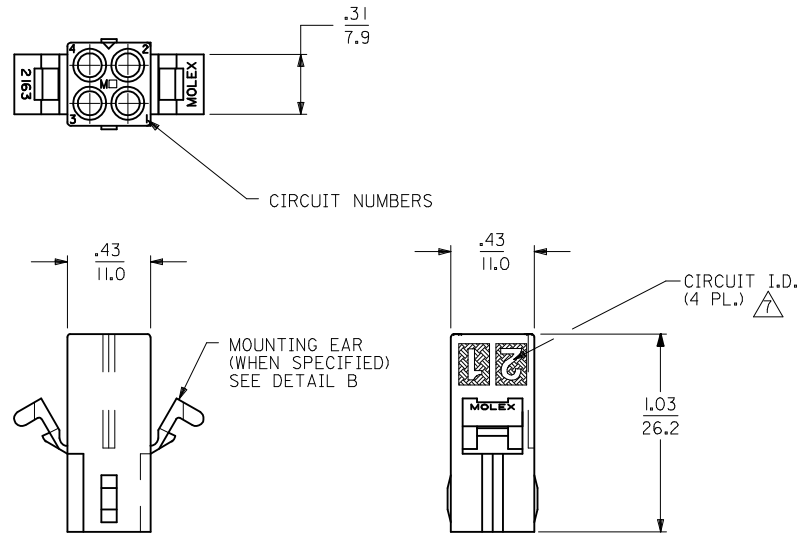
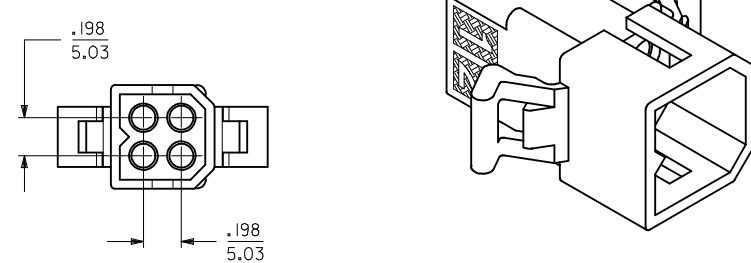
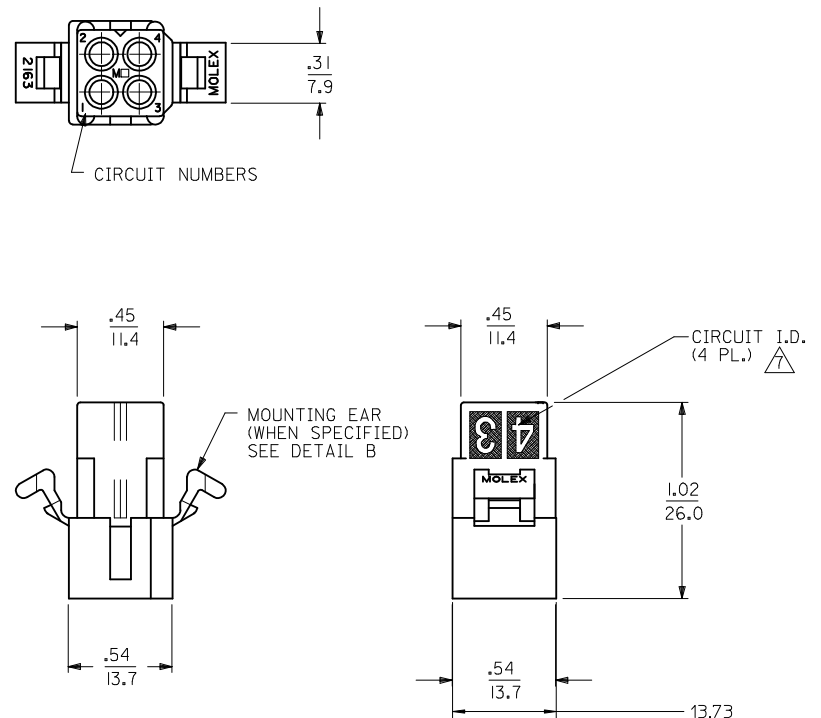


RECEPTACLE



SHOWN WITH PREBENT MOUNTING EAR

PLUG



SHOWN WITH PREBENT MOUNTING EAR

REMOVE OBSOLETE EC NO: UCP2016-2183 DRAWN: KIPPER 2015/12/10 CHKD: J.BELL 2015/12/10 APPR: F.SMITH 2015/12/23	QUALITY SYMBOLS ▽=0 ▽=0 ▽=0	GENERAL TOLERANCES (UNLESS SPECIFIED)		DIMENSION STYLE IN/MM	SCALE 2:1	DESIGN UNITS INCH	THIRD ANGLE PROJECTION
		4 PLACES ± --- ± --- 3 PLACES ± --- ± .010 2 PLACES ± 0.25 ± .014 1 PLACE ± 0.35 ± --- 0 PLACE ± --- ± ---	mm INCH DRAWN BY DATE KBW 02/03/89 CHECKED BY DATE RW 02/03/89 APPROVED BY DATE F.SMITH 2014/06/23	TITLE .093/(2.36) HOUSINGS PLUG & RECEPTACLE 4 CKT., .198/(5.03) CL		MATERIAL NO. SEE CHART	DOCUMENT NO. SD-2163-*
DRAFT WHERE APPLICABLE MUST REMAIN WITHIN DIMENSIONS	ANGULAR ± --- °	THIS DRAWING CONTAINS INFORMATION THAT IS PROPRIETARY TO MOLEX INCORPORATED AND SHOULD NOT BE USED WITHOUT WRITTEN PERMISSION					

PLUG	
ORDER NO	ENG NO
03-09-2049	2163-P1
46999-0652	2163-P2

RECEPTACLE	
ORDER NO	ENG NO
03-09-1049	2163-R1
03-09-6049	2163-R1BK
46999-0653	2163-R2

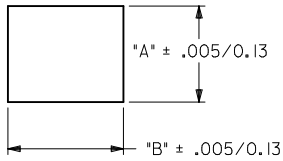
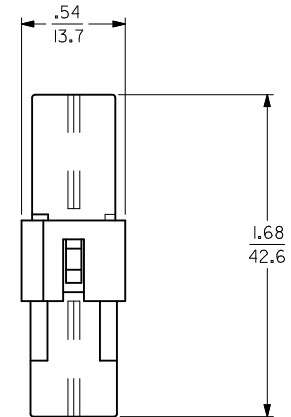
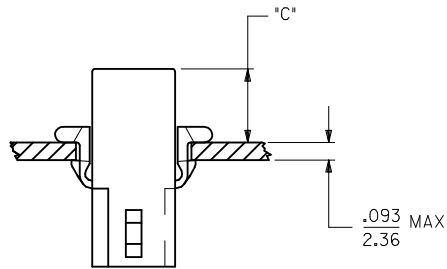
**LEGEND:**

2163-\*\*\*\*

P = PLUG  
R = RECEPTACLE

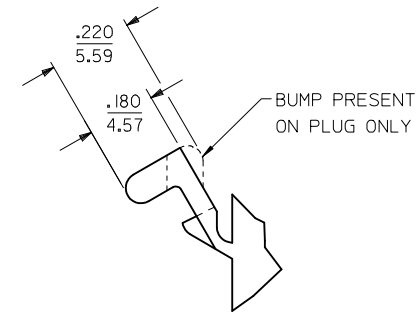
BLANK = OBSOLETE  
1 = WITHOUT EARS  
2 = WITH PREBENT EARS  
3 = OBSOLETE  
4 = OBSOLETE

COLOR:  
BLANK = NATURAL COLOR  
AM = AMBER BK = BLACK BU = BLUE  
BN = BROWN GY = GRAY GN = GREEN  
OR = ORANGE RD = RED YW = YELLOW  
UV = BLACK UV RESISTANT



**RECOMMENDED PANEL OPENING**

HOUSING	DIM. "A"	DIM. "B"	"C" PREBENT EAR
PLUG	.555/14.10	.695/17.65	.42/10.7
RECEPT.	.500/12.70	.600/15.24	.40/10.2



**NOTES:**

- MATERIAL: NYLON 6/6 (PA), UL 94V-2.
- FINISH: NONE.
- PRODUCT SPECIFICATION: PS-02-09 APPLIES.
- PARTS TO BE PACKAGED PER PK-2163-001
- MATES WITH: SERIES 2163.
- ACCEPTS MOLEX .093 SERIES TERMINALS.
- CIRCUIT I.D. NUMBERS ON HOUSING APPEAR ON PARTS FROM TOOLS BUILT AFTER 7/22/91.
- PARTS CONFORM TO CLASS B REQUIREMENTS OF COSMETIC SPECIFICATION PS-45499-002

SEE SHEET 1 EC NO: UCP2016-2183 DRW:MK/PPER 2015/12/10 CHKD:JBELL 2015/12/10 APPR:FSMITH 2015/12/23	DESCRIPTION	QUALITY SYMBOLS	GENERAL TOLERANCES (UNLESS SPECIFIED)	DIMENSION STYLE	SCALE	DESIGN UNITS	THIRD ANGLE PROJECTION
		▽=0	mm INCH	IN/MM	2:1	INCH	☉
		▽=0	4 PLACES ± --- ± ---	DRAWN BY DATE	TITLE	.093/(2.36) HOUSINGS PLUG & RECEPTACLE 4 CKT., .198/(5.03) CL	molex
		▽=0	3 PLACES ± --- ± .010	CHECKED BY DATE	DOCUMENT NO.		
▽=0	2 PLACES ± 0.25 ± .014	APPROVED BY DATE	SHEET NO.				
J2	REV	ANGULAR ± --- °	DRAFT WHERE APPLICABLE MUST REMAIN WITHIN DIMENSIONS	SEE CHART	SD-2163-*	2 OF 2	
				THIS DRAWING CONTAINS INFORMATION THAT IS PROPRIETARY TO MOLEX INCORPORATED AND SHOULD NOT BE USED WITHOUT WRITTEN PERMISSION			