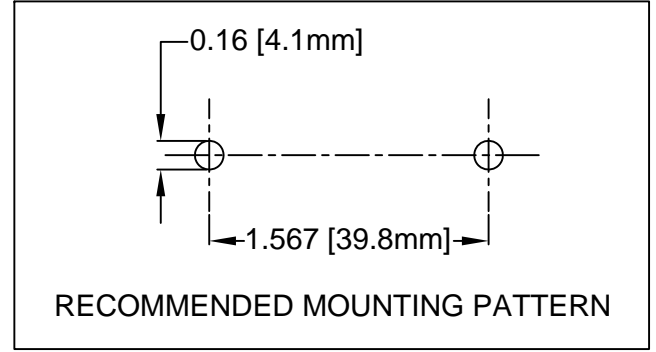
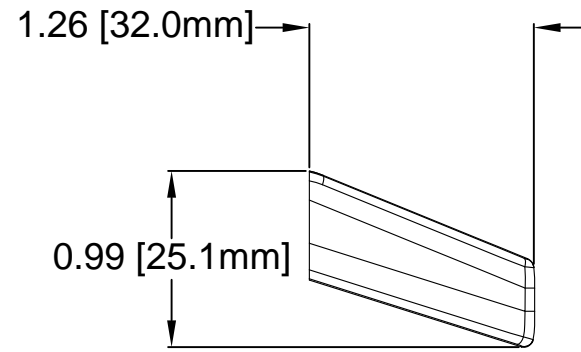
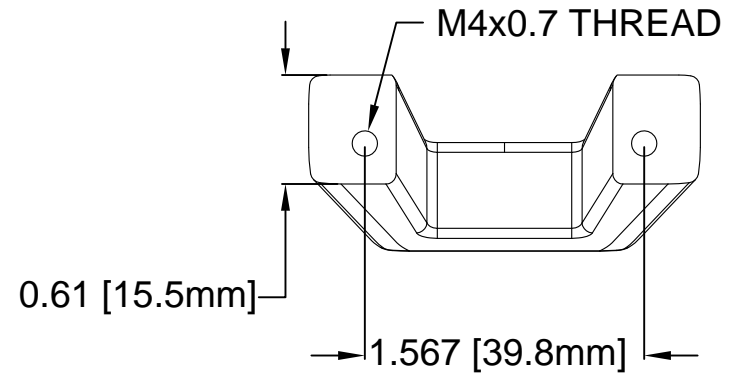
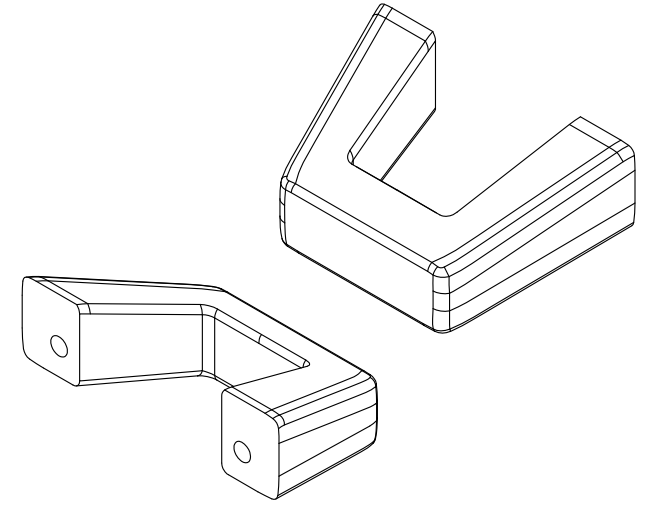
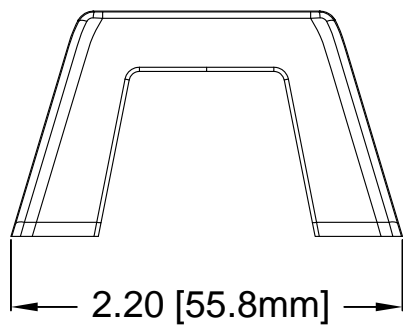
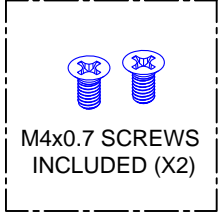


REV.	DESCRIPTION	DATE	APPROVED
A	Engineering Release	08/27/14	J. C.
B	Engineering Update w/o Changes	05/21/16	J. C.



NOTES:  
 1. MOUNTING HARDWARE SHIPPED UNASSEMBLED  
 2. MATERIAL: ALUMINUM

STANDARD TOLERANCE (UNLESS OTHERWISE SPECIFIED)		 4 THOMAS, IRVINE, CA. 92618 TEL: (949) 951-8808 FAX: (949) 951-3974			
DECIMALS	ANGULAR				
.X ± .1	X° ± 1°	 <b>TITLE:</b> 2U SUBRACK HANDLE, RECTANGULAR			
.XX ± .02					
.XXX ± .010		<b>DESIGNED:</b> <b>A. Wright</b>	<b>DATE:</b> <b>08/27/14</b>	<b>PART NO:</b> <b>SRH-2RUT</b>	<b>REVISION:</b> <b>B</b>
<b>CHECKED:</b> <b>B. Oliver</b>		<b>DATE:</b> <b>08/27/14</b>		<b>CAGE CODE :</b> 32559	<b>SHEET #</b> 1 OF 1
CAD GENERATED DOCUMENT. DO NOT MEASURE DRAWING.					